



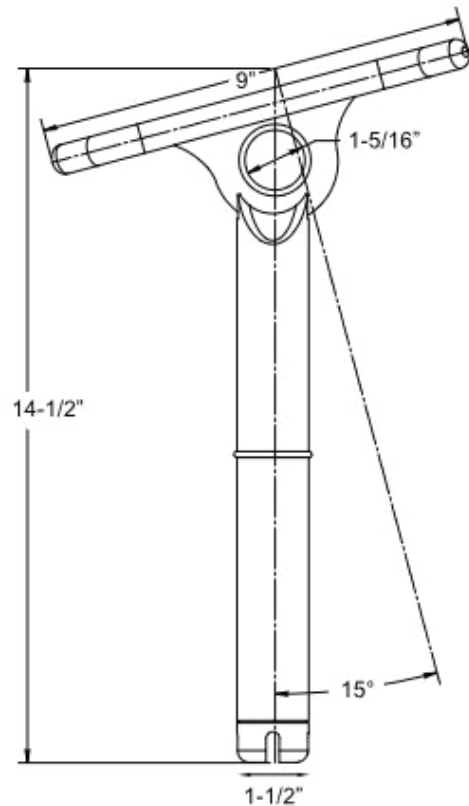
MULTI-PURPOSE 15° PORTABLE CLEAT



We've combined a cleat and a fender holder into one glorious accessory with our Multi-Purpose Portable Deck Cleat! Securely tie off lines and set fenders all in one place. Because it fits standard rod holders, this cleat is movable, stowable and a practical step forward in your boating and docking experience.

FEATURES & BENEFITS

- Manufactured from stainless steel Type-304
- Large S-shape 9" cleat design
- Accommodates up to 3/4" dock line for larger boat applications
- Tube O.D. 1.25" fits into standard rod holders 1-5/8" diameter
- Loop hole design to hang fenders over the side
- Ideal for hanging hose while washing boat
- Packaged in mesh bag for easy drying if stored wet and to avoid
- scratching deck or storage surfaces on the boat



www.tacomarine.com | ph 800.653.8568 | e info@tacomarine.com



PART #	DESCRIPTION	FINISH	UNIT	PACK	UPC
F16-0861POL-1	Multi-Purpose 15° Portable Cleat	Stainless steel Type-304	Each	4	631376093725