

GRAND SLAM 300PVD OUTRIGGER MOUNT



Introducing the Grand Slam 300PVD - a stainless-steel / polished, anodized aluminum, single-handle Outrigger Mount with a durable, black Physical Vapor Deposition (PVD) coating. Not only does this mount deliver enhanced safety and performance with smooth, one-handed operation from the deck, but the PVD coating ensures a hard, weather-resistant finish that is more durable and longer lasting than traditional finishes. Easily adjust rotation and lift of outrigger poles using the GS-300PVD's ergonomic crank handle, which locks flush into the base. The Mount's attractive, all-metal design means no plastic components, a greater water seal and increased protection from the elements.

PIN-LOCKING ARM

- ▶ No port or starboard designation
- ▶ Underside locking pin connection
- ▶ Arm lifts up to 49° from horizontal position for kite fishing and dock clearance
- ▶ Pairs with 1-1/2" DIA Outrigger Poles up to 22'
- ▶ Can be used with Outrigger Base Reducer for 1-1/8" DIA poles

HANDLE

- ▶ Stainless-steel, ergonomic, single-hand crank handle with ball bearing
- ▶ Enables lift and rotation of outrigger poles from safety of the deck
- ▶ Unique, locking flip handle
 - ▶ Keeps the handle knob on the bottom when lifting or rotating the outrigger
 - ▶ Provides full torque control and safety of deployment at all times
- ▶ Robust, dual-detented lifting crank handle locks flush into base

MOUNT

- ▶ Constructed from cast stainless-steel and machined aluminum for a stronger, lighter base
- ▶ Each mount weighs 15 pounds (30 pounds per pair)
- ▶ Water-tight seal to prevent water leaks
- ▶ Safety detents prevent uncontrolled rotation when deploying outrigger poles
- ▶ Allows a controlled 180° rotation, if needed
- ▶ Locking head eliminates downward creep of outrigger poles
- ▶ Equipped to handle the torque and whip generated by poles up to 22'
- ▶ Includes all mounting hardware for easy installation
- ▶ Base hole pattern matches all TACO Marine Grand Slam models, as well as the industry standard hole patterns of other top-mount outrigger systems



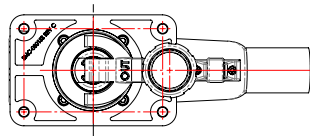
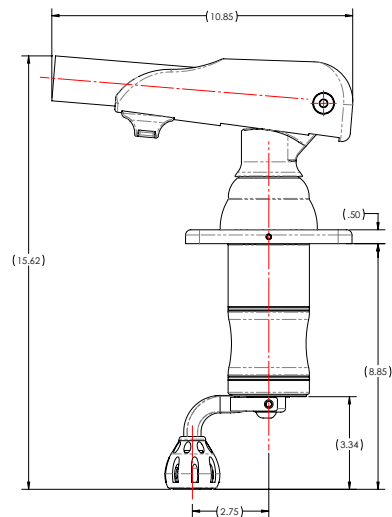
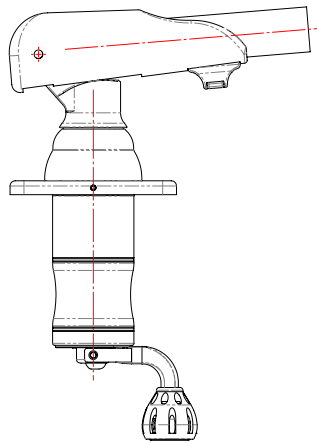
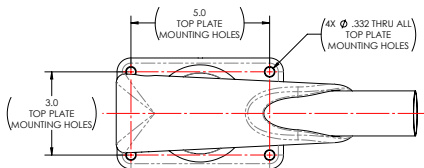


GRAND SLAM 300PVD OUTRIGGER MOUNT



PVD COATING

- ▶ Provides an extra layer of protection against corrosion, making it a good choice for outdoor or marine environments
- ▶ PVD coating can be applied in various colors for OEM, including black, which gives a persistent, opaque brown-black effect
- ▶ This coating is a greener choice than other coating processes because it doesn't produce any gases or water waste, and it doesn't limit the recycling value of stainless steel
- ▶ PVD coating is hypoallergenic, making it suitable for individuals with sensitive skin or allergies to certain metals
- ▶ PVD coating maintains its color and luster over time, unlike traditional plating methods



⚠ WARNING:

This product can expose you to chemicals including Lead, which is known to the State of California to cause cancer, birth defects or other reproductive harm. For more information go to www.P65Warnings.ca.gov.

PART #	DESCRIPTION	STD. PK	UOM	UPC
GS-300PVD	Grand Slam 300PVD	2	Pair	