



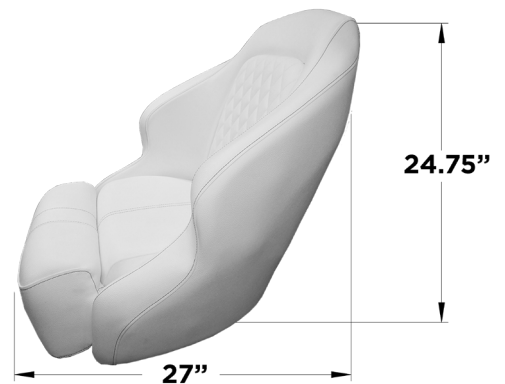
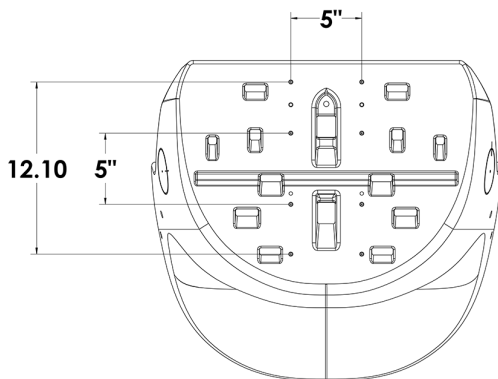
ANCLOTE-PLUS BUCKET SEAT



Introducing the AncloTE-Plus Bucket Seat - an extension of our original AncloTE Bucket Seat with additional styling features exclusive to OEM. The state-of-the-art design of the AncloTE-Plus includes an integrated seat suspension - a mesh, shock-absorbing system that is integrated into the injection-molded seat bottom. This luxury boat seat also features plush cushioning, a wrap-around body style accented with exclusive quilting options for OEM, such as Bentley (shown), and an adjustable bolster - allowing for boaters to stand and steer when at the helm. This premier-quality bucket seat features high-density, anti-bacterial foam padding and marine-grade vinyl fabric treated with anti-microbial and UV stabilizers.

FEATURES & BENEFITS

- ▶ Ideal for pilot house boats, pontoons and dual consoles
- ▶ Featured upgraded styling options for premium OEM application
- ▶ Features integrated seat suspension for enhanced comfort
- ▶ Rotomolded seat shell construction with a reinforced seat bottom
- ▶ Adjustable bolster
- ▶ Exclusive quilting and vinyl fabric color options for OEM
- ▶ Premium quality, marine-grade vinyl fabric treated with anti-microbial and UV stabilizers
- ▶ Plush, anti-bacterial foam padding, which provides durable support and protection from mold and mildew
- ▶ Form-fitting sides keep you comfortable
- ▶ Flexible, contemporary design
- ▶ Meets ABYC H-31 impact test
- ▶ Mounts to any standard 5" X 12" slide plate assembly
- ▶ Compatible with TACO M20-1013A/E manual or electric seat slides



PART NUMBER	DESCRIPTION	WIDTH	DEPTH	HEIGHT	COLOR	CoO
BA3-25	AncloTE-Plus Bucket Seat	25.5"	27"	24.75"	Sand & Almond	USA