



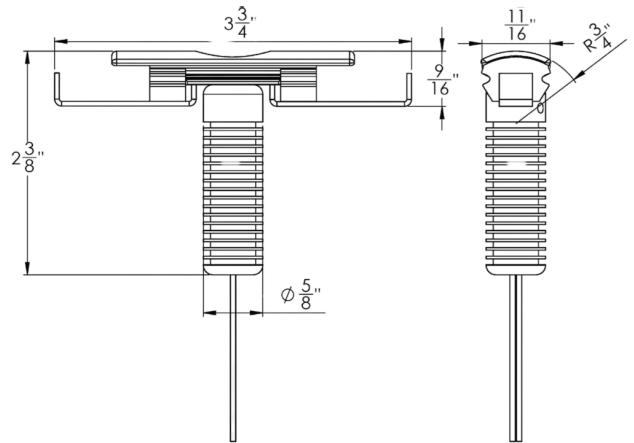
SUPROFLEX MOUNTED LED NAVIGATION LIGHT SET, 2-9/16"



Introducing a new Rub Rail LED Navigation Light designed specifically for SuproFlex! This sleek, low-profile navigation light fits V11-9960, V11-9990 and V11-9950 (OEM only) SuproFlex profiles, meets ABYC and USCG requirements for both sail and powerboat designation and has a water-resistant IP68 rating for hours of maintenance-free use.

FEATURES & BENEFITS

- Sold in pairs with one 3-watt port (red) light and one 2-watt starboard (green) light
- Brightness compares to 10-watt incandescent light
- Enables more deck space
- Easy to install
- Provides a 112.5-degree unobstructed view with less glare
- Meets ABYC/USCG requirements for both sail and powerboat designation
- Low-voltage 12-14VDC
- Anodized aluminum heat sink for maximum heat dissipation
- Water-resistant IP68 rating
- Uses #8 stainless steel fasteners, not included



w tacomarine.com | ph 800.653.8568 | e info@tacomarine.com



PART #	DESCRIPTION	UPC
F38-9960	LED Nav Light, SuproFlex Rub Rail Black Plastic	631363093592