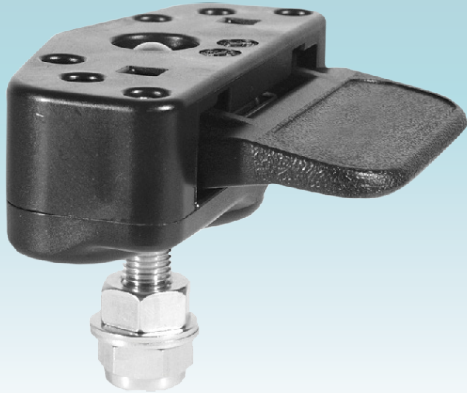




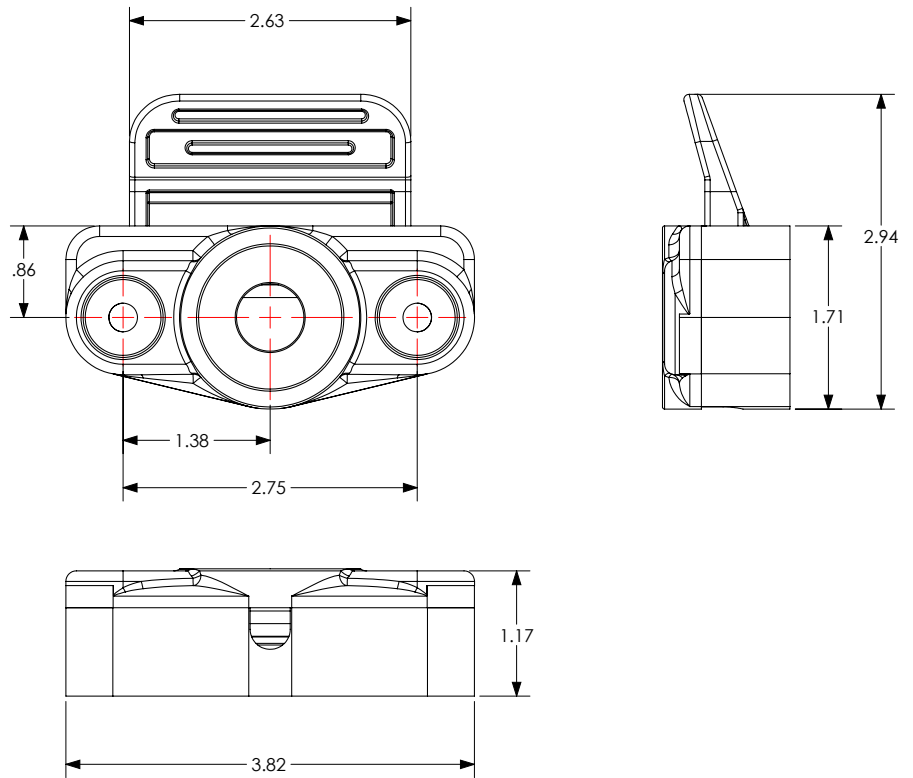
SUNDECK LATCH



TACO Marine's Sundeck Latches are low profile, concealed latches. They have universal applications for engine hatches, access panels, cabinet doors, deck boxes and folding seats. The non-slip grip provides a secure grip for lifting large hatches and has an adjustable anchoring stud. Installation for TACO Marine's Sundeck Latches are a simple bolt-down.

FEATURES & BENEFITS

- High performance latches
- Rugged construction
- Positive locking features
- Locking pin and bolt made of Stainless Steel Type 316



Replacement Locking Pin Available



F45-0336/0339B-3
F45-0336/0339B-4

PART NUMBER	DESCRIPTION	LOCKING PIN	UNIT	PACK	UPC
F45-0339B	Nylon Handle w/ SS Hardware, Black	2-3/4"	EA	50	63083017392
F45-0339W	Nylon Handle w/ SS Hardware, White	2-3/4"	EA	50	63083017408
F45-0336/0339B-3	2-3/4" Locking Pin w/ Hardware	2-3/4"	EA	100	63083082307
F45-0336/0339B-4	3-3/4" Locking Pin w/ Hardware	3-3/4"	EA	100	63083028039