

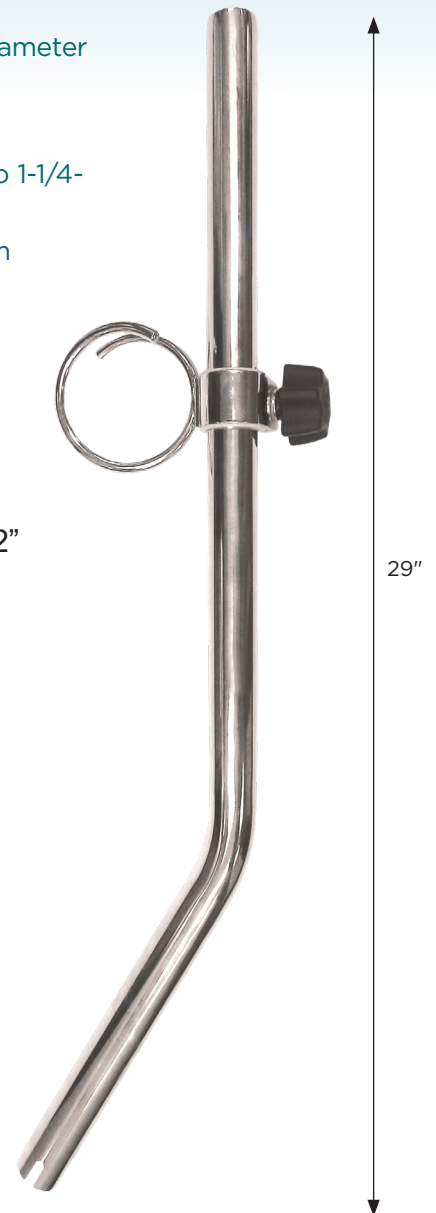
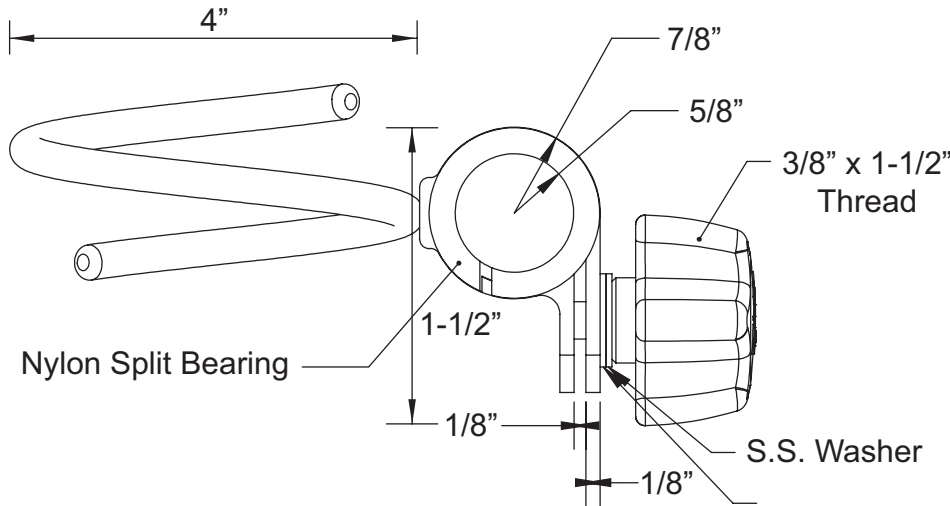


## SHORE POWER CABLE HOLDER

Utilizing shore power just got a whole lot easier! Introducing our Shore Power Cable Holder – designed to elevate power lines up and out of the water to increase safety and accessibility at the dock. The tube easily fits into standard rod holders and features a gliding ring to compensate for low or high tides. This holder supports up to 100 amps of shore power cables.

### FEATURES & BENEFITS

- Manufactured from stainless steel Type-304
- The 1-1/2-inch diameter tube fits standard rod holders 1-5/8-inch in diameter
- Adjustable height ring to compensate for low or high tide
- Two-piece design for easy storage
- Clamp-on ring (also sold separately as F16-0804-1) can be adapted to 1-1/4- or 1-1/2-inch tube diameter by removing Delrin Washer
- Packaged in mesh bag for easy drying if stored wet and to avoid from scratching deck or storage surfaces on the boat



**Delrin washer insert**  
(Adjustable diameter from 1-1/2" to 1-1/4")

PART #	DESCRIPTION	WEIGHT	DIA.	UNIT	PACK	UPC
F16-0802-1	Shore Power Cable Holder	5 lbs.	1-1/2"	Each	4	630838084875
F16-0804-1	Shore Power Cable Ring	1.3 lbs.	1-1/2" to 1-1/4"	Each	2	630838084868