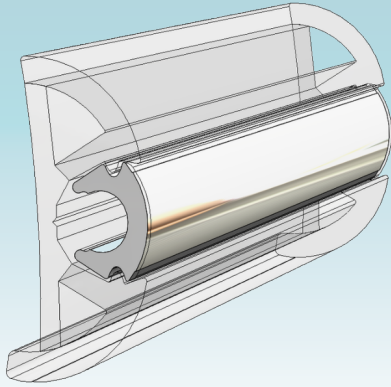




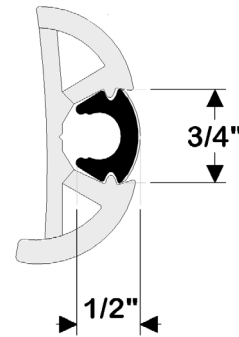
## FLEX CHROME INSERTS



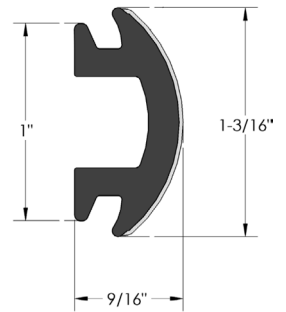
TACO Marine's Flex Chrome Rub Rail Insert provides the beauty of Stainless Steel without the high cost and labor. Developed originally for OEM automotive exterior trim applications, Flex Chrome has passed extensive automotive testing for heat/humidity freeze cycle, salt spray, shock and accelerated weathering.

### FEATURES & BENEFITS

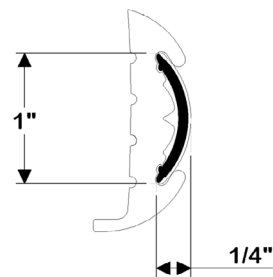
- Denser substrates provide more robust protection
- Authentic "chrome" finish
- Durable materials will provide years of maintenance-free service
- Profiles sold separately



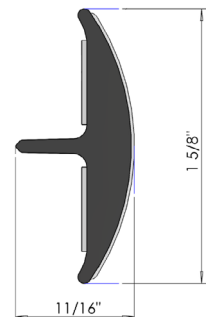
V12-0307



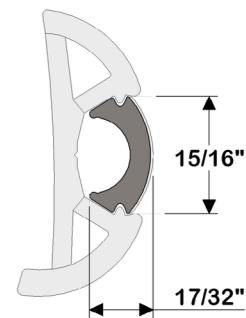
V12-4144CP



V12-9809



V12-9964



V12-9980

PART #	LENGTH	HEIGHT	WIDTH	COLOR/FINISH
V12-0307BP80	80'	3/4"	1/2"	Black Pearl
V12-0307CP60	60'	3/4"	1/2"	Chrome
V12-0307CP80	80'	3/4"	1/2"	Chrome
V12-0307CP200	200'	3/4"	1/2"	Arctic White
V12-0307GRD88	88'	3/4"	1/2"	Gray
V12-0307BKA200	200'	3/4"	1/2"	Black
V12-0307BKA88	88'	3/4"	1/2"	Black
V12-0307WHA88	88'	3/4"	1/2"	Arctic White
V12-0307WHC88	88'	3/4"	1/2"	Frosty White
V12-4144CP70	70'	1-3/16"	9/16"	Chrome
V12-9809CP70	70'	1"	1/4"	Chrome
V12-9809CP210	210'	1"	1/4"	Chrome
V12-9964BPI100	100'	1-5/8"	11/16"	Black Pearl
V12-9964CPI100	100'	1-5/8"	11/16"	Flex Chrome
V12-9980CPI100-1	100'	15/16"	17/32"	Chrome
V12-9980BKA100	100'	15/16"	17/32"	Black
V12-9980BKA135	135'	15/16"	17/32"	Black
V12-9980CPI100	100'	15/16"	17/32"	Chrome
V12-9980GRD100	100'	15/16"	17/32"	Gray
V12-9980WHA100	100'	15/16"	17/32"	Arctic White