



## GRAND SLAM 170-2 CENTER RIGGER MOUNT



### CENTER RIGGER MOUNT:

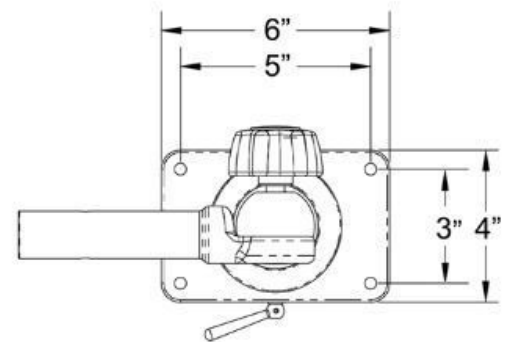
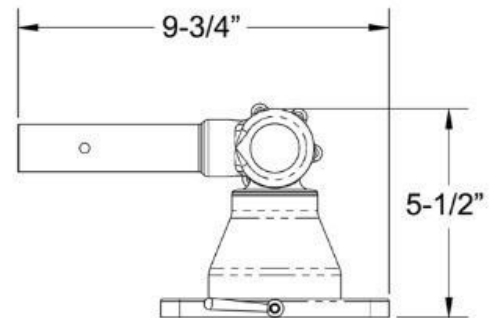
The Grand Slam 170-2 is the long-standing industry standard for center rigger mounts. Used on center consoles to allow a “way-back” bait presentation, it is the perfect addition to your boat’s offshore display.

### SHADEFIN MOUNT:

This mount serves as a versatile base in horizontal and vertical adjustment for ShadeFin<sup>®</sup> - a lightweight, unique shade system that is easily installed and stowed for added sun protection while on the water. [Click here to learn more about ShadeFin<sup>®</sup>.](#)

### FEATURES & BENEFITS

- Compatible with 1-1/8” Center Rigger Poles
- Adds additional height for presenting a long bait in your fishing spread
- Versatile mounting base for 5’ x 6’ of shade with ShadeFin<sup>®</sup>
- Stainless-steel and Anodized Aluminum construction
- Sure-Grip knob allows lift adjustments every 18°
- Locking lever secures out-bound rotation to desired location
- Delrin bearings allow for smooth, secure operation
- Easy installation with the outrigger-ready mounting plates
- Sold individually



**⚠ WARNING:**

This product can expose you to chemicals including Lead, which is known to the State of California to cause cancer, birth defects or other reproductive harm. For more information go to [www.P65Warnings.ca.gov](http://www.P65Warnings.ca.gov).

w [tacomarine.com](http://tacomarine.com) | ph 800.653.8568 | e [info@tacomarine.com](mailto:info@tacomarine.com)



PART NUMBER	DESCRIPTION	WEIGHT	UNIT	PACK	UPC
GS-170-2	GS-170 Center Rigger Mount	6.3 LBS. Each	Each	4	630838082710