



ALUMINUM TELE-SUN SHADE POLES



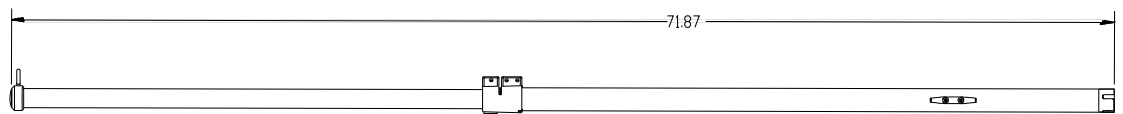
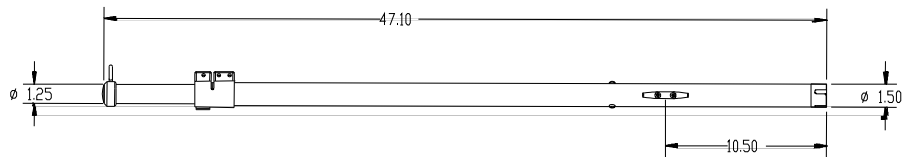
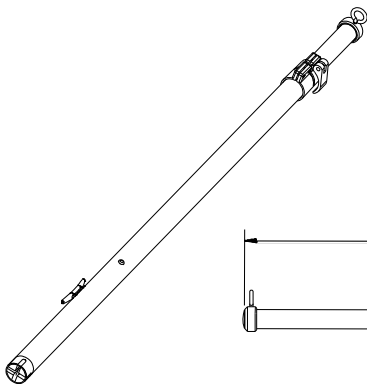
Extend your time on the water and at the sandbar with the new Aluminum Tele-Sun Shade Poles! Made from strong, lightweight drawn aluminum tube, the Tele-Sun Shade Poles are easy to install and stow – maximizing time and fun on your boat. Simply insert the poles into your boat’s rod holders, secure a sun-protecting fabric to the boat top, attach the fabric connector to the poles and extend the poles into position. The Tele-Sun Shade Poles can be mounted to the front or rear of your boat, depending on your preference, and telescope from just over 44.6” to 69.37” tall.

FEATURES & BENEFITS

- Lightweight drawn and anodized aluminum tube material
- Built to withstand the harsh marine environments
- Easy installation to deck-mounted rod holders with 1/4” pin
- Nylon cleat allows for easy adjustment of line tension
- Tip eye bolt feature allows for alternative fabric clamping bungee cord system
- Extends from 44.6” to 69.37”
- Not included - rod holder and canvas material
- Includes carry bag

WARNING:

This product can expose you to chemicals including Di (2-ethylhexyl) Phthalate (DEHP), which is known to the state of California to cause cancer, birth defects or other reproductive harm. For more information, go to www.P65Warnings.ca.gov.



PART #	DESCRIPTION	MAIN TUBE	INNER TUBE	ROPE DIA	UOM
T10-7001VEL	Aluminum Tele-Sun Shade Pole	1-1/2"	1-1/4"	1/4"	PR