



NEPTUNE II LEANING POST



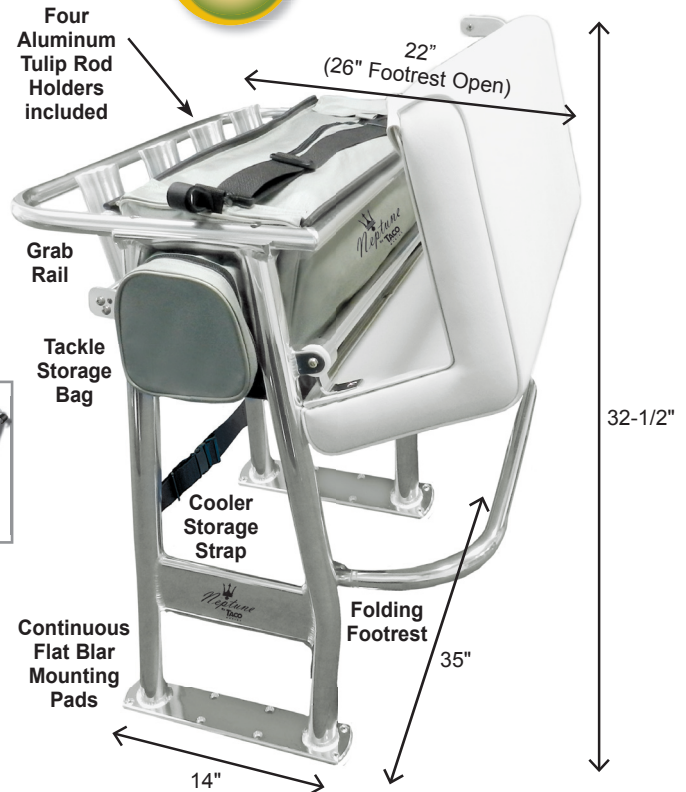
Taco Marine's Neptune II Leaning Post is designed for smaller center console boats, backed by a 3-year warranty. The Neptune II Leaning Post is constructed of Anodized Aluminum, engineered and built to last. Equipped with an attractive patented soft pack that is easy to remove and provides a convenient tote for fishing gear. Footprint dimension: 14" x 35".



FEATURES & BENEFITS

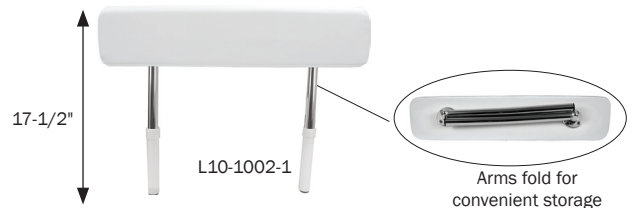
- Anodized Aluminum frame with grab-rail
- Four adjustable Aluminum rod holders
- Convenient removable soft side under seat storage (also sold separately as Neptune Tackle Storage Bag L10-1003BAG)
- Folding foot rest with heavy-duty design supports up to 300 lbs
- Full length mounting pads
- Cooler storage with convenient strap
- Easy Do-It-Yourself assembly
- Comfortable cushion seat
- 72qt cooler storage area with strap
- Cooler storage area: 24-1/2" H x 29-1/4" W
- Polished anodized Aluminum frame
- Marine-grade vinyl upholstered cushion
- Accommodates a Universal Leaning Post Backrest for additional comfort (sold separately as L10-1002-1)
- Footprint = 14" x 35"

INCLUDES



UNIVERSAL LEANING POST BACKREST

- Universal design to fit Neptune Leaning Posts and most standard leaning posts
- Arms install at desired width to fit rod holders
- Cool, white, easy-to-clean, cushioned backrest
- Arms fold for easy storage when not in use



Part No.	Description	UPC	Height	Width	Depth
L10-1003-1	Neptune II Leaning Post w/Soft Pack Storage	630838025403	32-1/2"	35"	26"*
L10-1002-1	Universal Leaning Post Backrest	630838023331	7-3/8"	34"	3"
L10-1003BAG	Neptune Tackle Storage Bag	630838029067	10-1/4"	30"	9-1/2"

*Depth measurement includes lowered footrest extension

