

## ADJUSTABLE SEAT SLIDE KIT



Introducing the newest addition to our seat slide family, the Adjustable Seat Slide Kit! This low-profile design provides frictionless operation and is easily adaptable for a multitude of marine applications. Its high-strength polymer glides provide smooth movement with a durable locking action. It comes with a front-mounted activation lever, which is easily accessible in all seven positions when seated. The complete kit includes the housing assembly, mounting plate, fasteners and installation instructions - making it the perfect all-in-one seat slide package.

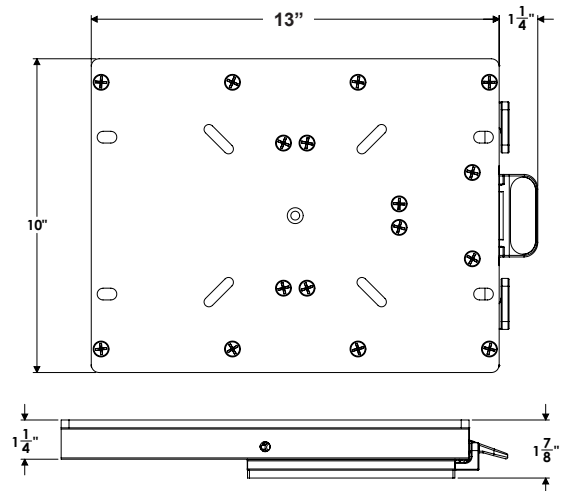
### FEATURES & BENEFITS

- Precision-machined 6000-series aluminum chassis
- High-strength polymer glides provide self-lubricated, rattle-free, smooth operation
- Features seven adjustable, equally spaced positions within a 5-1/2" spread
- Secure fit with universal mounting bolt pattern on both pedestal and box applications
- Easy installation and detachment with modular mounting plate
- Front activation lever that slides with the seat for ease of use
- Ideal for seats 25" wide and under
- Easily holds 400 pounds
- Meets ABYC H31 testing standards
- Double pin positive side lock

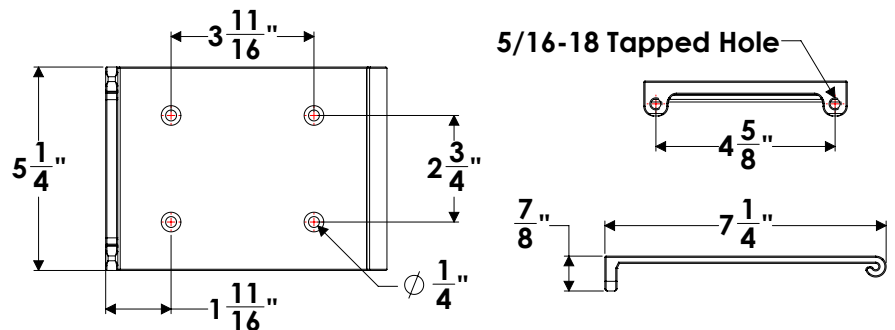
### KIT INCLUDES

- Seat slide housing assembly
- Mounting plate
- Fasteners for assembly of mounting plate to housing

### ADJUSTABLE SEAT SLIDE



### MOUNTING PLATE



PART NUMBER	DESCRIPTION	UNIT	PACK	UPC
M20-1013A	Adjustable Seat Slide Kit	EA	1	630964089607