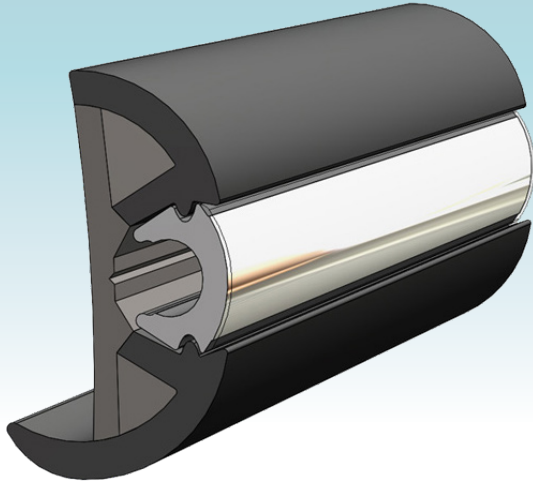




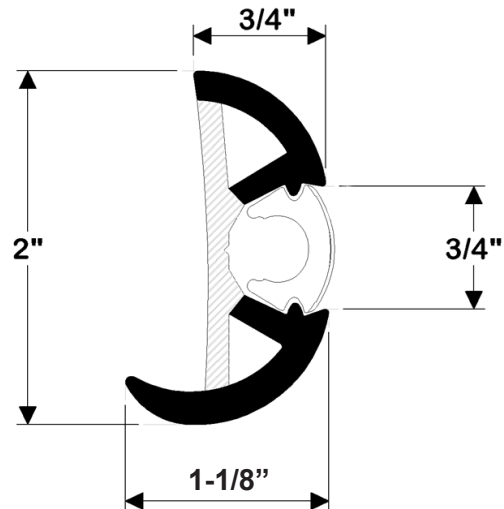
2" X 1.156" MEDIUM SUPROFLEX RUB RAIL



Add the ultimate coverage to the cap/hull joint of your boat with the V11-9950 SuproFlex Rub Rail. This co-extruded, ultra-flexible vinyl profile features a longer leg for superior hull protection. Available now to boat builders! SuproFlex Rub Rail is lightweight and super flexible to save you time and money while providing a seamless precision fit. The innovative SuproFlex series is co-extruded vinyl that provides two levels of hardness - ensuring enhanced protection from impact. SuproFlex Rub Rail requires minimal heating - reducing installation time and manpower. Additionally, SuproFlex Rub Rail requires no pre-forming and easily molds to most hull shapes.

FEATURES & BENEFITS

- Ideal for boats up to 65'
- Co-extruded to provide two levels of hardness
- Rigid backing and soft durometer front
- Shock-absorbing channels for higher impact resistance
- V11-9950 installs with the leg on top
- Lighter weight than traditional vinyl rub rail
- Requires no pre-forming and minimal heating
- Pairs with inserts V12-0307CP, V12-0307BP, V12-0307WP (sold separately)
- Insert color can be customized to builder's



w tacomarine.com | ph 800.653.8568 | e info@tacomarine.com



PART #	DESCRIPTION	COLOR	LENGTH	UPC
V11-9950BKA100D	SuproFlex, medium, 2" X 1.156"	Black	100'	630977089731