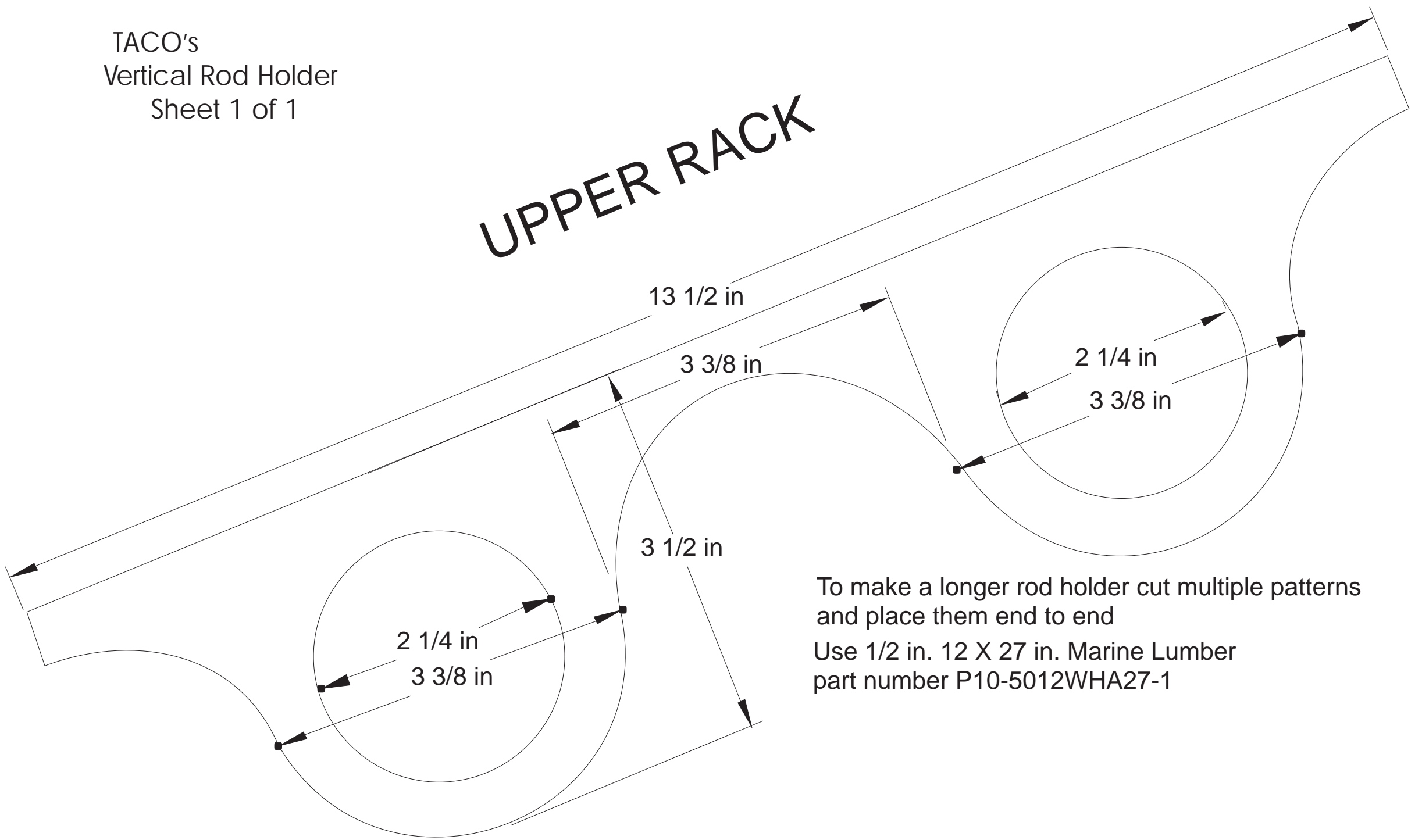


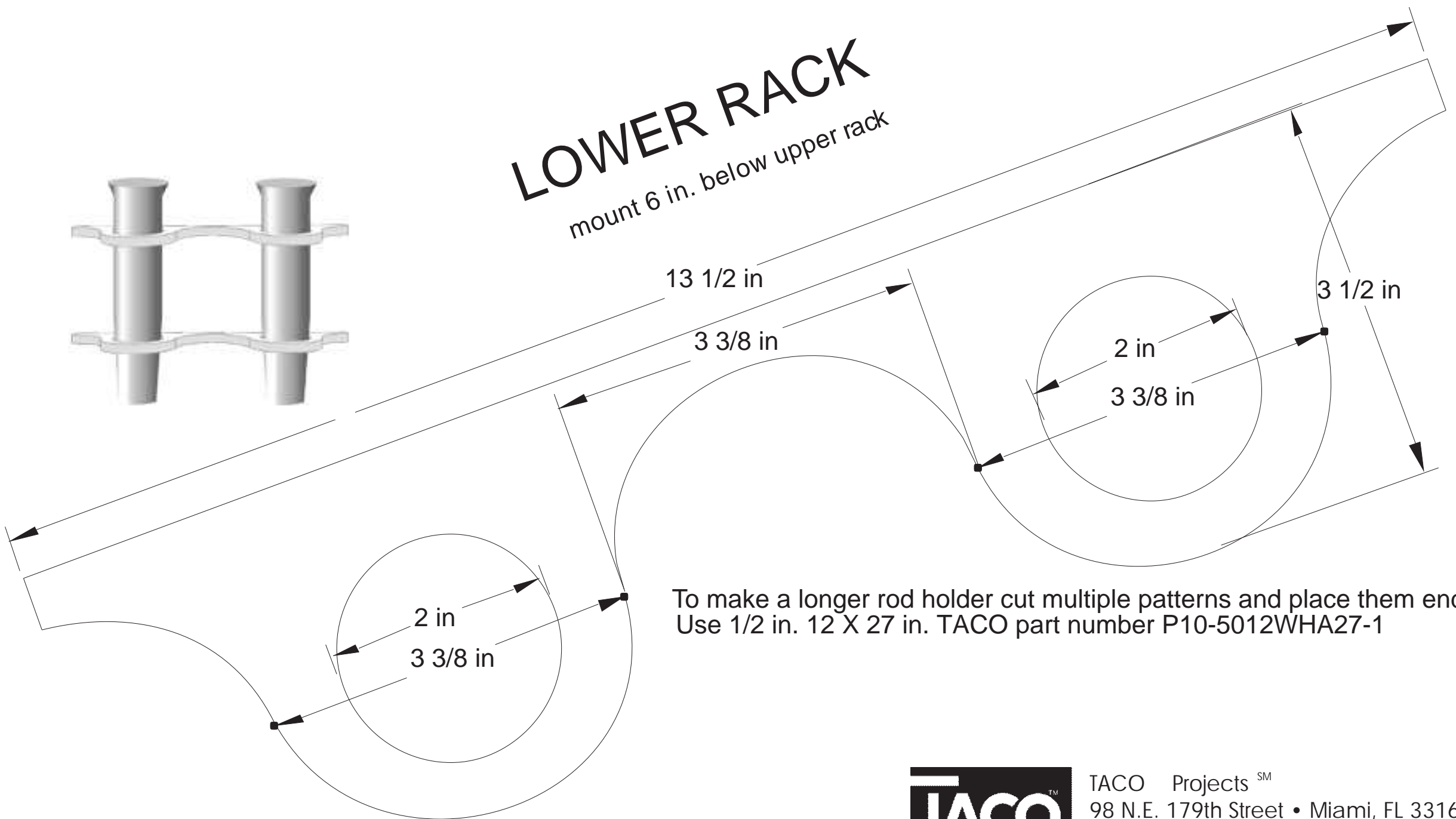
UPPER RACK



To make a longer rod holder cut multiple patterns and place them end to end
Use 1/2 in. 12 X 27 in. Marine Lumber
part number P10-5012WHA27-1

LOWER RACK

mount 6 in. below upper rack



To make a longer rod holder cut multiple patterns and place them end to end
Use 1/2 in. 12 X 27 in. TACO part number P10-5012WHA27-1

