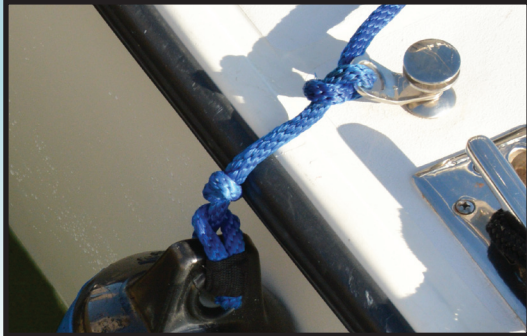




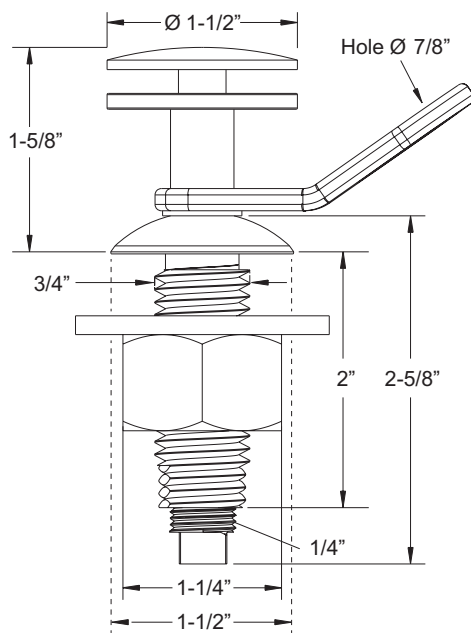
QUICK RELEASE FENDER LOCK



For dockside safety and convenience, Taco Marine's fender lock ensures secure, quickly stored fender lines. The fender lock remains at the optimum length with the mounting pin attached. At the dock, you simply insert the pin into the fitting and your boat is protected, with the fenders in their ideal position.

FEATURES & BENEFITS

- Stainless Steel Type 316
- Overall height above deck: 1-19/32"
- 1/4" drain plug
- Designed for simple single hand operation
- Will allow easy installation and removal of float style fenders
- Quick and easy installation using 3/4" drill bit through the gunnel
- Large push-button for comfortable operation
- Large 7/8" hole diameter for rope



RECEIVER ONLY ALSO AVAILABLE!



The "Fender Lock Receiver Only" allows boaters the ability to quickly and easily place fenders in multiple places where they prefer to hang them off the boat at the desired height position every time.



Dimensions shown in inches

Part #	Description	Eye	UPC	U of M	Std. Pk.
F16-0151-1	Quick Release Fender Lock	7/8" ID	630838084080	Each	12
F16-0151R-1	Quick Release Fender Lock (Receiver Only)	N/A	630838084882	Each	12

