

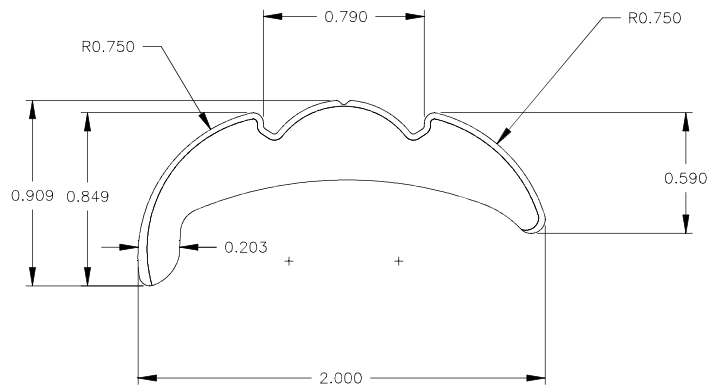
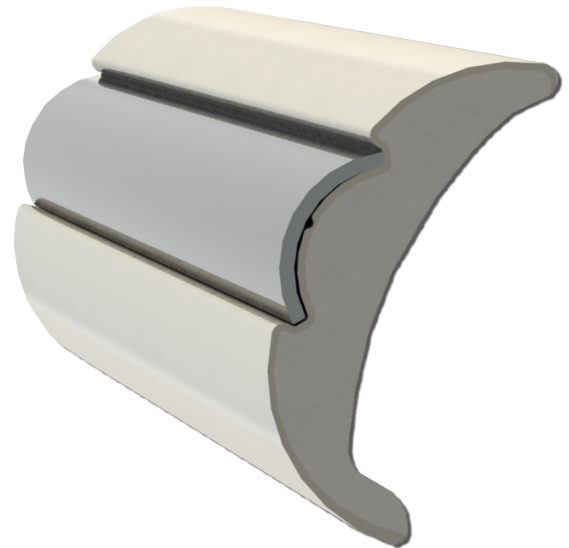
RIGID VINYL FLEX CORE RUB RAIL



Taco Marine's latest Rub Rail innovation is an improved design of our most popular rigid PVC shape with a light weight, high-density inner core. This allows for easier handling, faster one-piece installation, improved dimensional stability and production run consistency. It receives the S11-4511 3/4" hollow back Stainless Steel half-oval insert and is ideal for boats 24' to 40' in length.

FEATURES & BENEFITS

- Light weight
- Easy handling and installation
- Solid, rigid PVC cap stock exhibits traditional surface characteristics, appearance and impact properties
- Available in a continuous coil eliminating butt joints around gunwale
- Improved bending characteristics and ability to cold form
- Vacuum calibration tooling allows for tighter dimensional tolerance and sizing consistency
- High-density core offers Improved shock-absorbent impact resistance
- Drilled and countersunk on 8" centers



Part #	Description	UPC	Unit of Measure	Std. Pk.
V21-9906BKA20D	Rigid Vinyl Flex-Core Rub Rail, Black, 20'	-	Each	12
V21-9906BKA60D	Rigid Vinyl Flex-Core Rub Rail, Black, 60' Coil	630838084684	Each	4
V21-9906WHC20D	Rigid Vinyl Flex-Core Rub Rail, Frosty White, 20'	-	Each	12
V21-9906WHC60D	Rigid Vinyl Flex-Core Rub Rail, Frosty White, 60' Coil	630838084691	Each	4

