



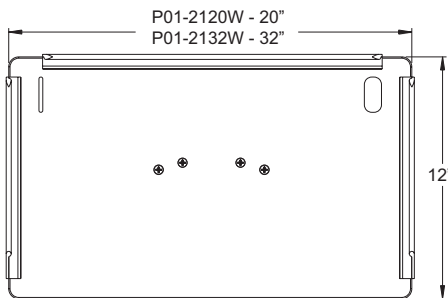
## FILET TABLE WITH ADJUSTABLE GUNNEL MOUNT



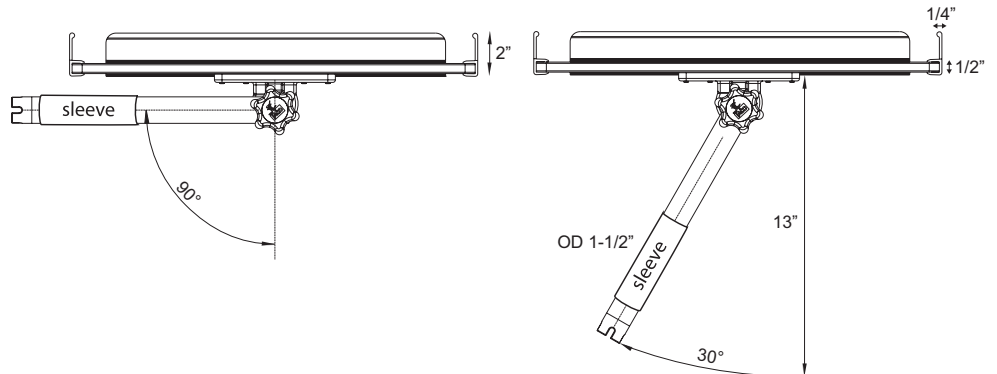
Filet table available in two sizes and designed for extreme durability with U.V. resistance. Can be used for cutting bait, filleting fish or serving food and beverages. Made from FDA approved, high-density polyethylene that will not discolor, crack, mildew or absorb fish odors and is easy to clean. They feature a storage slot for your filet knife and fishing pliers. The NEW universal-adjustable mount is made from high strength injection molded glass reinforced nylon attached to a brushed, bright-dip anodized pipe to fit all standard size rod holders. The quick release ergonomic knob allows for convenient angle adjustment and flat storage when not being used. All fasteners are stainless marine grade quality.

### FEATURES & BENEFITS

- High-density, 1/2" thick Polyethylene
- Holds a knife and a plier
- Drainage openings for easy clean-up
- Rod Holder tube with sleeve 1-1/2" OD
- Anodized Aluminum mount fits into any standard gunnel rod holder
- Rugged engineered nylon tilt mount locks at many angles
- Folds flat for storage under deck
- Stainless fasteners and easy to assemble mount
- Turning the position washer 1/4 turn allows for 6 additional angles for table to rest at



Dimensions shown in inches



Part #	Description	UPC	Unit of Measure	Std. Pk.
P01-2120W-1	Filet Table with Adjustable Gunnel Mount, White, 20" x 12"	630838030223	Each	4
P01-2132W-1	Filet Table with Adjustable Gunnel Mount, White, 32" x 12"	630838030230	Each	4