



RUB RAIL Inserts

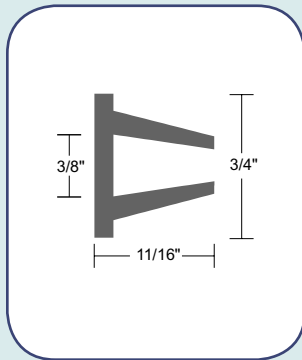


Semi-Rigid Vinyl Inserts

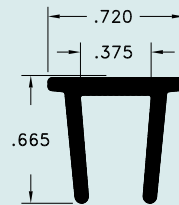
TACO's vinyl inserts are offered in various colors to accent your boat. The inserts hides rub rail fasteners for a clean look. They are available in continuous coils or reels for one piece installation without seams.

- Semi-rigid inserts for "sandwich" style rub rails
- Cap over deck and hull joint
- Cutting and drilling is equivalent to wood

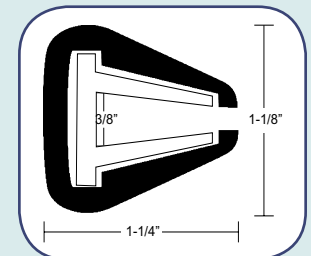
V22-3162



V22-3162
Semi-Rigid Vinyl Insert



Bulk	Color	Length	Height	Width	Screws
V22-3162BKA12	BKA	12'	3/4"	11/16"	#4



Fits V22-3161
Flexible Vinyl Rub Rail