



## GRAND SLAM 890 UNIVERSAL MOUNT



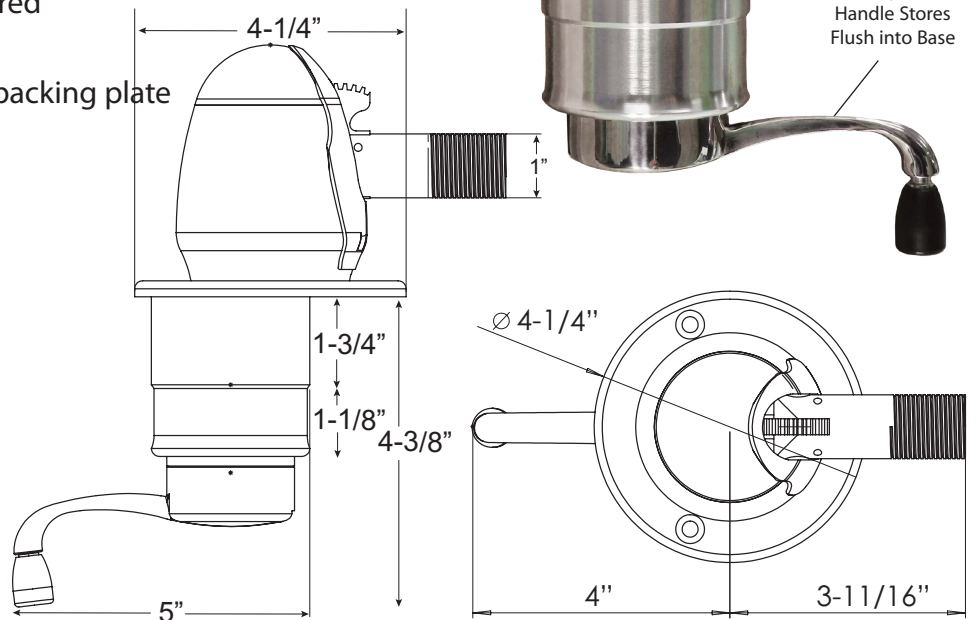
Taco Marine is introducing the GS-890 Universal Mount designed for mounting antenna, light or flag pole on the top of your t-top. The GS-890 installs easily and includes round backing plate for added strength and support. Its key feature is in its location and that it can be actuated from the helm. This represents a significant convenience for boaters and a safety feature as well with the capability of adjusting from under the top. Its rugged design will provide years of reliable service even in the most challenging saltwater applications. The GS-890 is the ultimate solution for boats 25'+ where safety is paramount.

### FEATURES & BENEFITS

- Anodized Aluminum
- Light brushed finish
- Fits standard 1"x14 threaded rod for antenna, flag pole or anchor light
- Unique design allows for raising and lowering antenna, flag pole or anchor light from under the top
- Folding crank handle stores flush into base
- Polished Stainless Steel Type 316 crank handle
- Delrin roller bearings provide for smooth operation and durability
- Hand crank; no power required
- Mounts up to 2" hard top
- Includes 4-1/4"x1/4" round backing plate (hardware not included)



Folding Crank Handle Stores Flush into Base



#### Includes

Round Backing Plate



Part #	Description	UPC	Unit	Std. Pk.
GS-890	Grand Slam Universal Mount	630838084806	Each	4