



## GRAND SLAM 380XL OUTRIGGER MOUNT



Taco Sport Fishing introduces the GS-380XL, created to meet the growing demands of the marine industry's larger segment of top performance center console boats. Like its predecessor, the GS-380, our newly designed GS-380XL offers all the same features and more. Built with a focus in mind to accommodate the needs of the elite center console market which are being built with thicker hardtops that will hold more electronics as well as performance sport fishing equipment. Our new GS-380XL will accommodate hard tops up to 4-1/2" in thickness, which can be found on boats 35' to 50'. The new design also offers an extra 2-1/2" of body thickness and two added positions for mounting the handle, either at a 0° or at a 90°, offering additional hard top clearance.

### FEATURES & BENEFITS

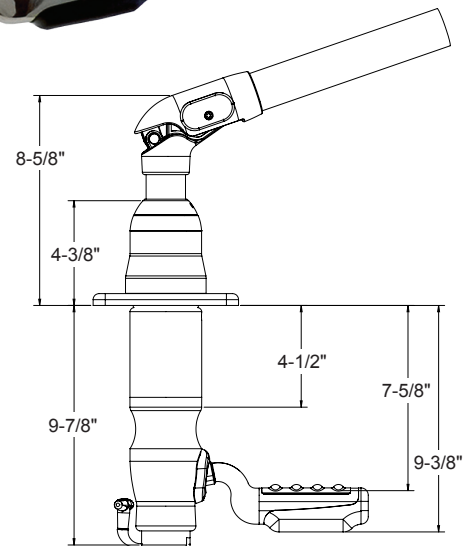
- For use on 35' to 50' boats
- Increased body length to fit hard tops up to 4-1/2"
- Same profile as the Taco Sport Fishing GS-380
- Complete vertical outrigger adjustment from under the hard top
- Optional 90° handle mounting position for more lever rotation
- Compatible with Taco Marine hardware including backing plates and wedge plates
- Designed for hard top applications
- Rugged Stainless Steel Type 316 and anodized Aluminum construction
- 12 locking fishing positions
- Ergonomic shape rotator lever
- Top mounted 4" X 6" base
- Compatible with Taco Sport Fishing 1-1/2" heavy duty telescopic outriggers (Aluminum or Carbon Fiber)
- Sold in pairs



**IMPROVED CRANK!**

Improved Fold-up Crank Handle offers a larger, firmer grip that allows for quicker outrigger pole position adjustment.

90° positioning for more lever rotation



Part #	Description	UPC	Unit of Measure	Std. Pk.
GS-380XL	Grand Slam 380XL	630838085032	Pair	2

