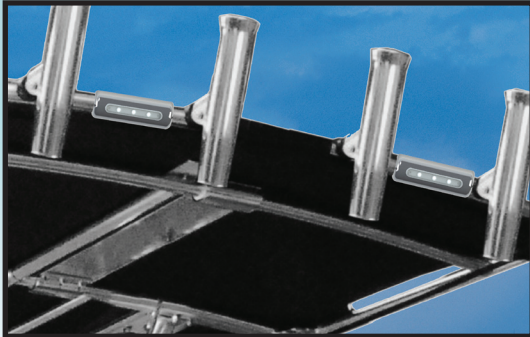


## 4-LED DECK LIGHT - PIPE MOUNT



Unique, low profile LED deck light designed to fit 1" IPS pipe (1.315" OD). Ideal for t-tops, towers, railings, poling platforms, leaning posts.

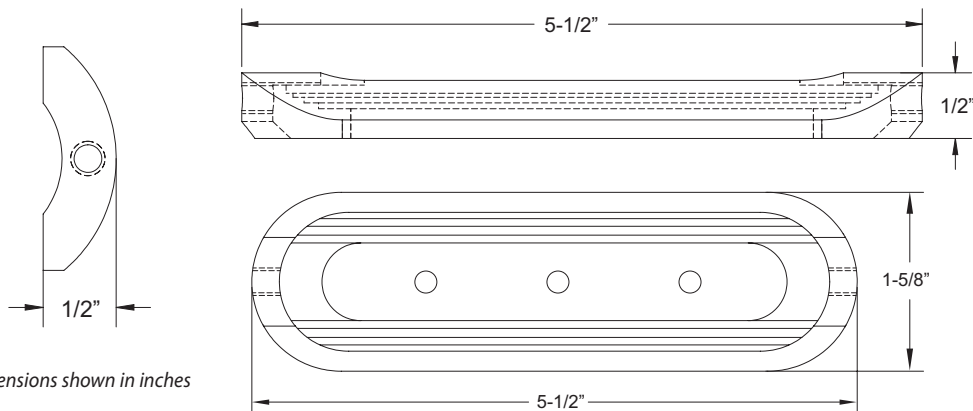
### FEATURES & BENEFITS

- USCG, ISO and SAE certified for Ignition Protection\*
- 10.0 Watt equivalent to a 55 Watt halogen flood light
- Powerful 700 lumen output with 100° spread beam angle
- 12-24 volt applications
- Very low power consumption (0.9 amps @ 12V, 0.5 amps @ 24V)
- 8' hidden power cable
- Compact design bolts directly to 1" schedule 40 pipe
- Wire chafe guards included for running wires through tube or pipe



### MATERIAL CHARACTERISTICS

- Bright dip anodized Aluminum housing
- Durable and self-extinguishing clear plastic lense
- LED chips are silicone potted for IP67 Waterproof (non-submersible)



\* USCG, ISO and SAE certified for Ignition Protection. Completely sealed lights have been tested in an explosive environment and exposed to an explosive atmosphere in high temperature that includes powering on-off 50 times without igniting the atmosphere at a temperature not exceeding 200 degree C. These certificates demonstrate the ability to consistently provide product that meets statutory and regulatory requirements that assure customer satisfaction and safety. Ideal for use in bilge areas, engine rooms, battery compartments and anywhere fire safety is of most importance.

Part #	Description	LED Color	UPC	Unit of Measure	Std. Pk.
F38-8800BXZ-W-1	4-LED Deck Light - Pipe Mount	White	630838087784	Each	6

