



## KITE FISHING ROD CLUSTER

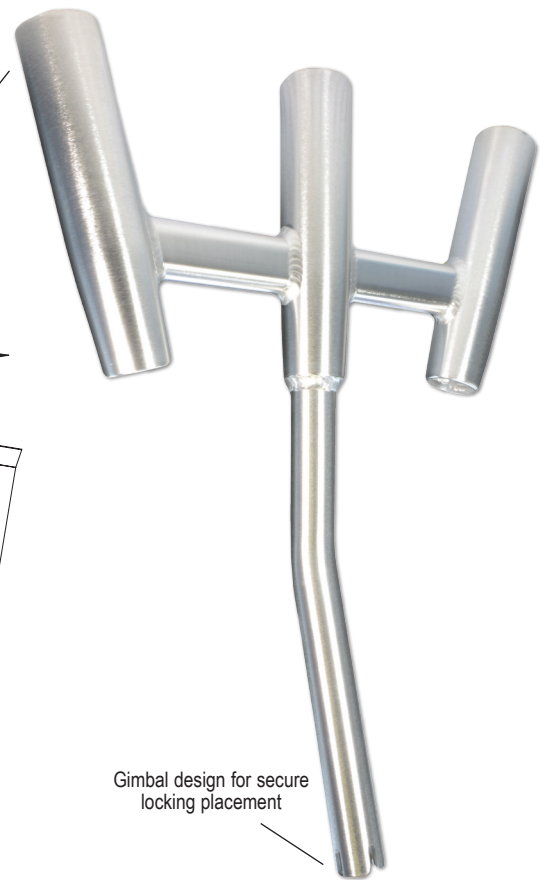


Taco Marine Sport Fishing's Kite Fishing Cluster is three rod holders in one. Fits all standard gunnel mount rod holders and is lightweight and durable. Made of anodized aluminum with a brushed finish.

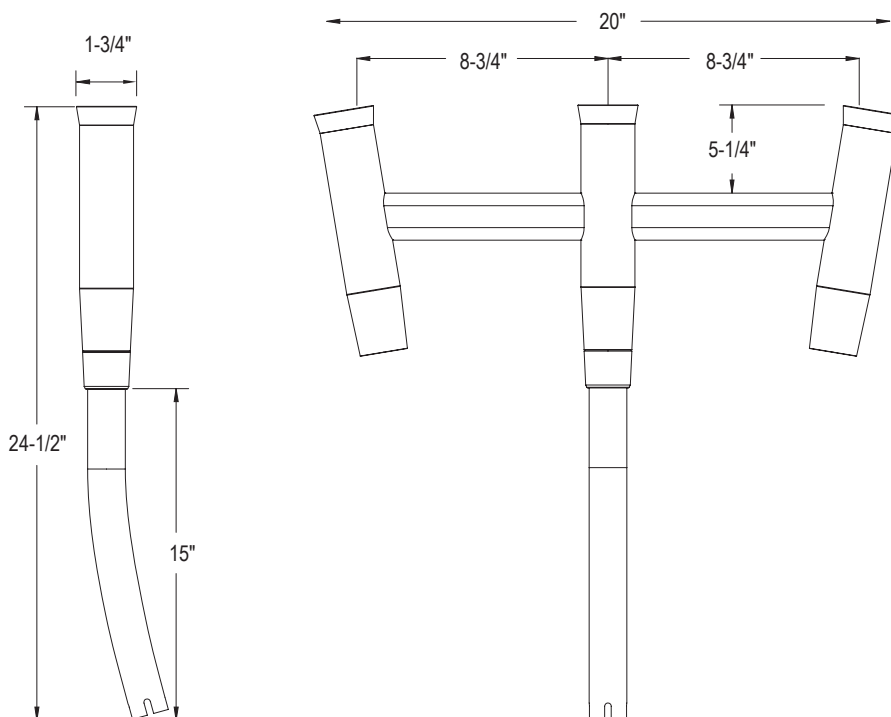
### FEATURES & BENEFITS

- Gunnel mount 3-rod holder
- 15° bent shaft for clearance
- Fits all standard gunnel mount rod holders
- Fish with multiple rods from one holder
- Sold as Each

Includes form-fitted, anti-fungal PVC White liner



Gimbal design for secure locking placement



Part #	Description	UPC	Height	Width	Rod Holder ID	Rod Holder Height	Unit	Weight	Std. Pk.
F31-0770BSA-1	Kite Fishing Rod Cluster	630838024390	24-1/2"	20"	1-3/4"	9-3/4"	Each	5 lbs.	4