

MARINE FABRICATION

Pipe & Tube

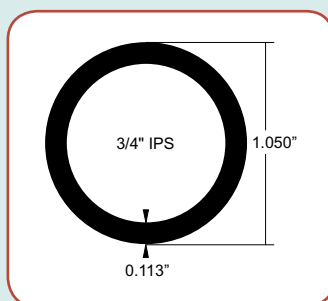


Schedule 40 Aluminum Pipe

TACO's aluminum pipe is used for construction of T-tops, Tuna Towers, Leaning Posts, Poling Platforms, Bow Rails and other marine metal structures. The unique properties of the pipe allows the fabricators to achieve desired bends and welding while maintaining strength, stability, and quality appearance.

- Premium anodized aluminum marine grade stainless steel
- Ideal for interior and exterior use
- Extruded to close tolerances
- For use in T-tops, towers, leaning posts, poling platforms and bow rails

A45-0352



A45-0352
Aluminum Pipe

Bulk	I.P.S.	Outside Dia.	Wall	Length	Finish
A45-0352AEY20-A	3/4"	1.050"	0.113"	20'	Mill
A45-0352BSA23	3/4"	1.050"	0.113"	23'	320 Grit Brite Anod
A45-0352BXY23	3/4"	1.050"	0.113"	23'	Pol Brite Anod

