



RUB RAIL Aluminum

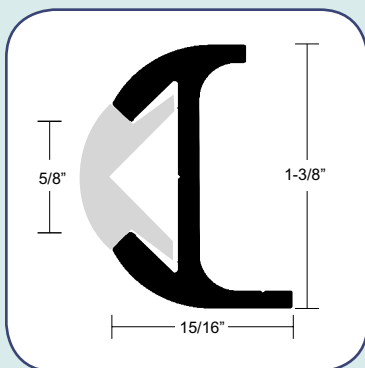


Aluminum with Flexible Insert

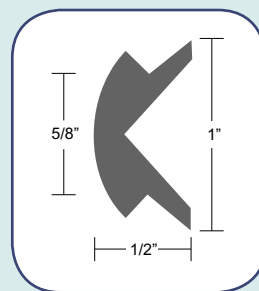
Aluminum rub rail provides strength and protection and gives boats a classic look. Manufactured from high grade 6063-T5 aluminum alloy, it tempers for easy tight radius bending. The anodized finish allows protection in the harshest marine environment.

- Designed for use with flexible vinyl inserts
- Polished clear anodized finish
- Drilled and countersunk on 6" centers

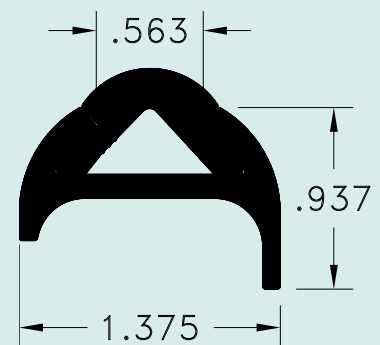
A12-0305



A12-0305
Aluminum Rub Rail



V12-0303
Flexible Vinyl Insert



Bulk	Retail	Length	Height	Width	Screws	Finish	Inserts	End Caps
A12-0305BLY12D	-	12'	1-3/8"	15/16"	#10	Brite Anod	V12-0303	F90-1870BKA