



RUB RAIL Aluminum

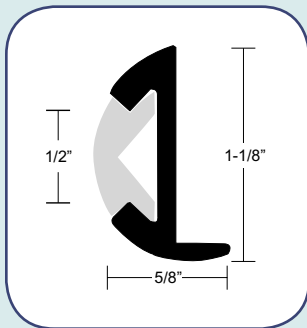


Aluminum with Flexible Insert

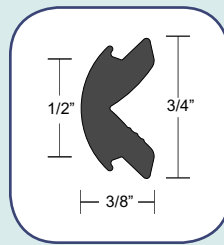
Aluminum rub rail provides strength and protection and gives boats a classic look. Manufactured from high grade 6063-T5 aluminum alloy, it tempers for easy tight radius bending. The anodized finish allows protection in the harshest marine environment.

- Designed for use with flexible vinyl inserts
- Polished clear anodized finish
- Drilled and countersunk on 6" centers

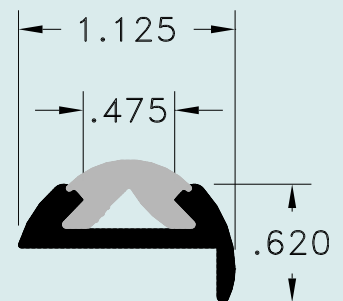
A1 1-0347



A11-0347
Aluminum Rub Rail



V12-4155
Flexible Vinyl Insert



Bulk	Retail	Length	Height	Width	Screws	Finish	Inserts
A11-0347BLY12D	-	12'	1-1/8"	5/8"	#8	Brite Anod	V12-4155