

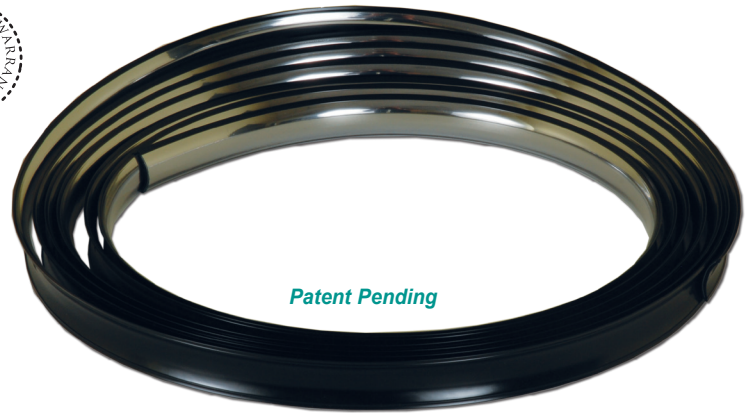


FLEX CHROME RUB RAIL INSERT (V12-9809CP210)

The new "Flex Chrome" rub rail insert provides the beauty of Stainless Steel without the high cost and labor.

FEATURES AND BENEFITS

- Flex Chrome by TACO is a flexible yet durable insert that is ideal for boats desiring a clean stainless steel look at a 30%+ savings.
- Flex Chrome installs quickly and easily without fasteners so there are no visible screw heads around the entire length of your boat.
- Flex Chrome is bonded to flexible PVC and contains an additional clear top coat layer for increased durability. It will not corrode even if penetrated.
- Easy, cost-effective retrofit at dealer level.

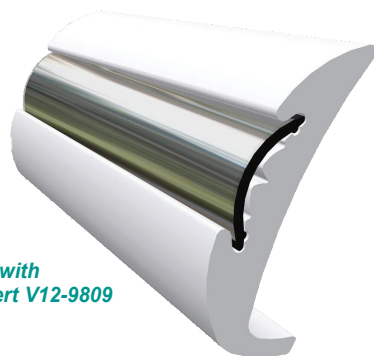
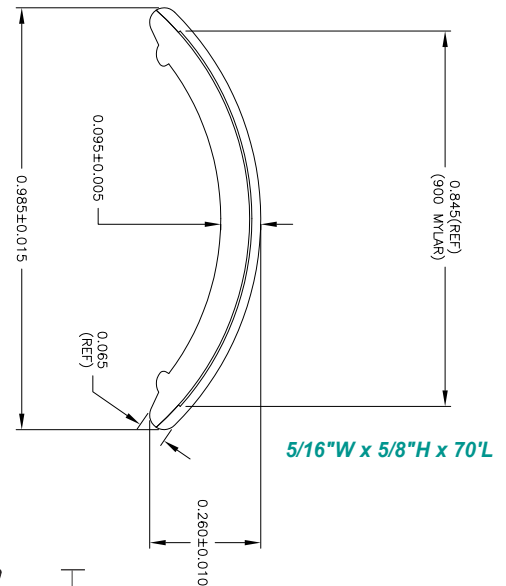


MATERIAL CHARACTERISTICS

- Denser substrates provide more robust protection.
- Authentic "Chrome" finish.
- Durable materials will provide years of maintenance-free service.

PRODUCT SPECIFICATIONS

- Developed originally for OEM automotive exterior trim applications, Flex Chrome has passed extensive automotive testing for Heat/Humidity Freeze Cycle, Salt Spray, Shock and Accelerated Weathering.



V21-9811 with Flex Chrome Insert V12-9809



Part #	Description	Unit of Measure	Std. Pk.
V12-9809CP210	Flex Chrome Rub Rail Insert, 210'	EA	1 (210')