

INSTRUCTIONS

Dockside Filet Table P01-4821W

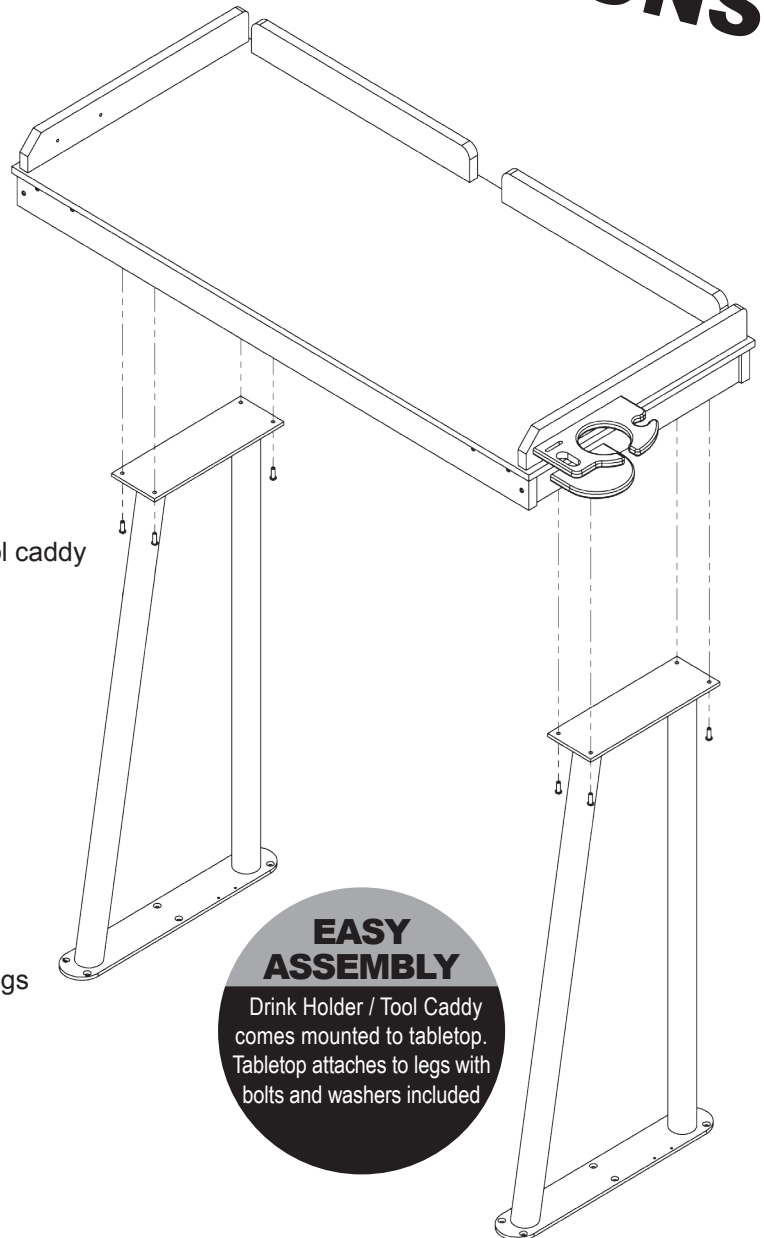
Thank you for purchasing a quality Taco Marine product. As a family-owned business since 1959, Taco Marine takes pride in offering the highest quality products with excellent customer service. We stand behind our products 100%. Please visit our website, TacoMarine.com, for more detailed information on a wide variety of marine products.

Contents:

- 1-Dock Table Assembly with attached side mount drink holder/tool caddy
- 2- Anodized Aluminum Leg Assemblies
- 8- 3/4" Socket Button Head Bolts
- 8- Stainless Steel Washers

Assembly:

- 1) Lay table top assembly upside down on a smooth non-abrasive surface.
- 2) Install the leg assembly to the table with the short flat bar under the table.
- 3) Table has two mounting positions:
 - a. Front leg assembly for drainage over the dock in the water.
 - b. Rear leg assembly for mounting standard on a dock.
- 4) Using the 3/4" bolts and stainless steel washers, connect the legs to the table. (Blue LockTite is recommended to keep bolts from loosening up).
- 5) Position the table on the dock in the desired location.
- 6) Fasten table to the dock using the proper length screws or bolts (not provided).



Care Instructions

Marine Lumber is very chemical resistant and most common detergents and cleaners work well. You can use a nylon scrub brush or stiff bristle nylon brush but care should be taken because excessive force can mar the finish. Bleach can be applied and allowed to soak to help lift persistent stains. Pressure washing is also an acceptable method of cleaning. To clean a petroleum problem such as grease or oil, use citrus cleaner, alcohol or mineral spirits. Care must be taken to avoid contact with pencil lead or prolonged contact with teak oil and other oil based products as these do not clean well and may cause staining. Furniture polish or products such as Armor-All® can add an attractive luster to the finish and hide small mars on the product's surface.

