

INSTALLATION INSTRUCTIONS

TACO
MARINE

ADJUSTABLE GUNNEL MOUNT FILET TABLE

P01-2120W, P01-2132W

Congratulations on your purchase of a Taco Marine Adjustable Gunnel Mount Filet Table

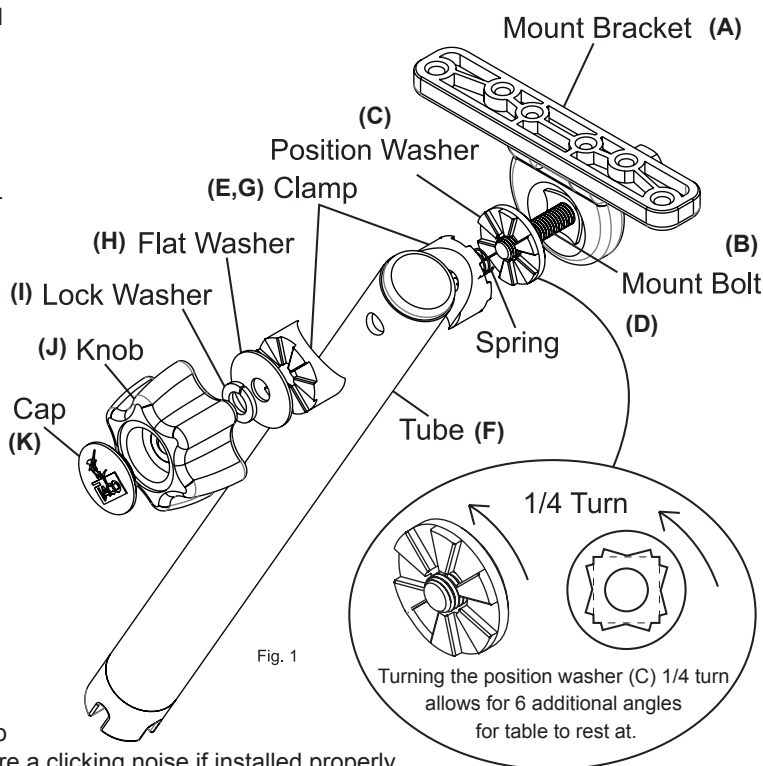
The Adjustable Gunnel Mount Filet Tables are available in 20" and 32" width featuring a convenient knife and plier holder, and are made of durable, FDA-approved, UV-stabilized high dense polyethylene to withstand the harsh marine environment. Adjustable tilt allows for desired position on multiple angle rod holders (0°, 15° and 30°) and drainage overboard when cleaning fish. The rugged, easy-grip handle adjusts with a single turn and folds flat for convenient removal and storage.

TOOLS REQUIRED:

Adjustable wrench, pliers or nut driver and a Phillips screwdriver

ASSEMBLY:

- 1) It is recommended that the mount bracket and stainless hardware bolts, washers and locking nuts be assembled first to the table before assembling the mounting bracket.
- 2) Placing the table on its side from the front, insert the four bolts that hold the mount bracket. From the opposite side of the table, attach mount bracket (A) then add the remaining mounting hardware in the following manner: washers first and then locking nuts. With a large head Phillips screwdriver in one hand and plier or nut driver in the other hand begin to tighten the mount bracket to the table. The locking nuts will not allow the hardware to loosen up.
- 3) Insert the stainless steel bolt (B) from the end that matches the shape of the screw head. Bracket Assembly: insert the position washer (C). Snap the rounded end into the same size receiving piece on the mount bracket. Make sure the two pieces snap into each other correctly by aligning the two round position washers in the same position. You should here a clicking noise if installed properly.
- 4) Slide the stainless steel spring (D) over the bolt all the way to the end towards the head of the bolt.
- 5) Insert one of the white clamps part (E) through the bolt so that it aligns with and matches up with the position washer (C).
- 6) Insert the Tube part (F) through the bolt.
- 7) Insert the second clamp part (G) onto the bolt so that the rounded side matches up with the tube.
- 8) Insert the flat washer part (H) through the bolt followed by the locking washer part (I).
- 9) Align the tube in the desired angle to sit on a rod holder. Start turning the white knob (J) and tightening down until the table locks into place. Insert the white cap with the Taco logo (K) on the end of the white knob. (It is recommended that some clear or white silicone be applied to the white cap to hold it in place.)



MAINTENANCE:

We recommend that you hose off the filet table especially after salt water use. For stubborn stains, use the same marine cleaner used on your boat and/or fishing gear.

When storing table or when not in use, lay tube flat on the table with the bracket assembly loose to eliminate unneeded stress.