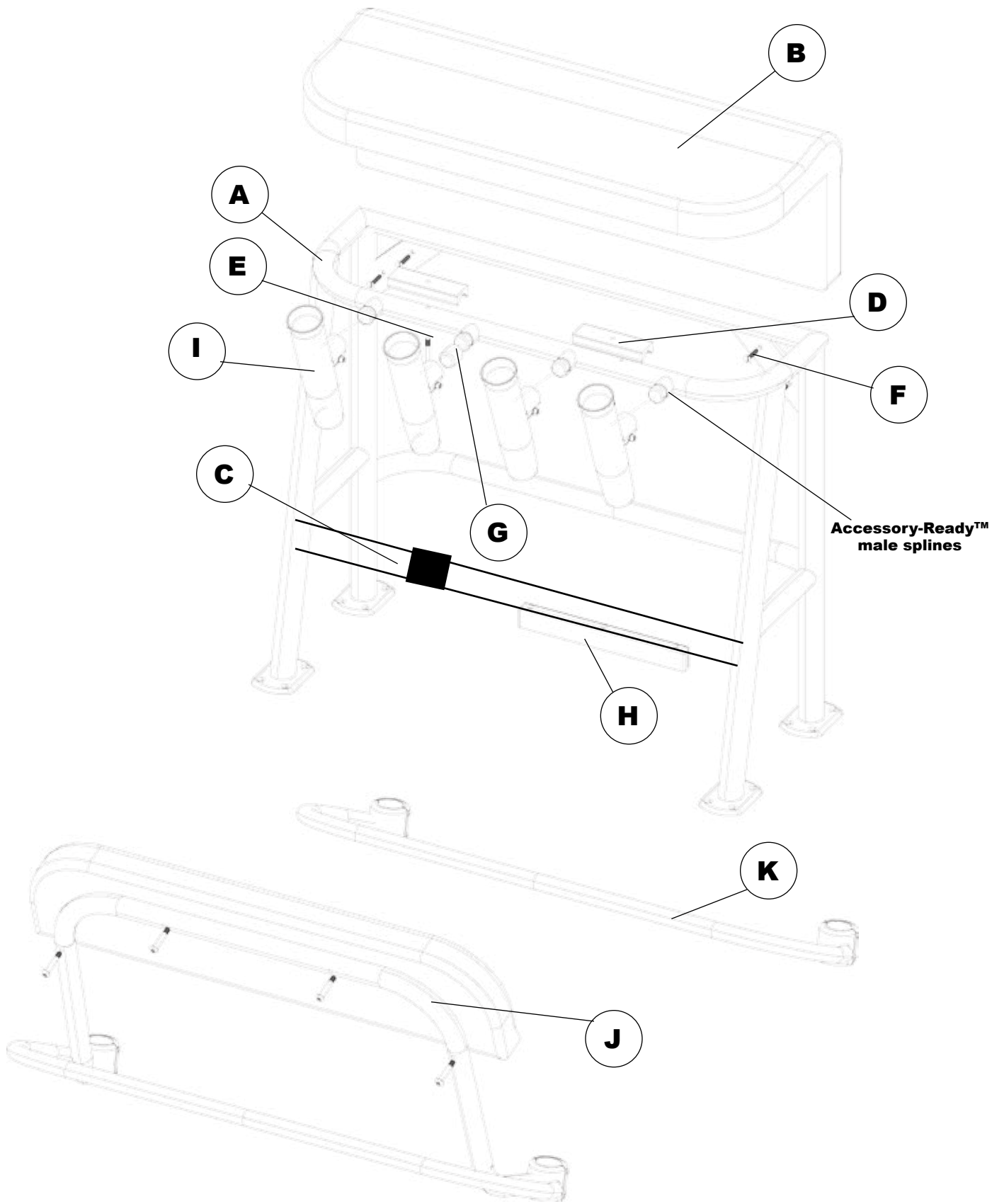




Neptune III Leaning Post



Assembly Instructions



Parts List

Item	Quantity	Part Number	Description
A	1	L10-2000BSAX	Frame Assembly
B	1	L10-2000SEAT	Seat Cushion Flat
B	1	L10-2001SEAT	Seat Cushion Pleated
C	1	L10-1004	Cooler Strap
D	2	V25-9834WHC0.416D	Mounting Blocks
E	2	F92-F330	#12 x 2-1/4" Screws
F	4	F92-F331	#12 x 1" Screws
G	4	F40-0006BKA	Black Plastic Cap
H	1	P01-1512WHA	Cooler Block and Screws
I	4	F31-2750BXY	Rod Holders (Optional)
J	1	L11-2600BSA	Backrest/Grabrail/Cushion Assembly- Flat (Optional)
J	1	L11-2601BSA	Backrest/Grabrail/Cushion Assembly- Pleated (Optional)
K	1	L11-3000BSA	Grabrail Assembly (Optional)

Assembly Instructions:

- 1) Carefully unpack the frame and cushion assembly. Use care not to scratch the anodizing on the frame with a sharp object.
- 2) With the frame sitting upright, place the mounting blocks (D) over the holes on the rear of the top ring and align the holes.
- 3) Place the seat cushion (B) on top of the ring. Make sure the seat cushion is centered left to right on the frame.
- 4) Install the four (4) #12 screws (F) into the cross braces on the front of the leaning post. The screws will self tap into the backer board on the seat cushion.
- 5) Install the two (2) 2-1/4" x #12 screws into the rear holes passing through the mounting blocks (D). The screws will self tap into the backer board.
- 6) Install the Neptune III Leaning Post in the appropriate position in the boat, and mark the hole positions.

Warning: It is very important that the leaning post is firmly attached to the deck to prevent injury. Consult your marine professional for recommendations!

- 7) If you are using a cooler, place it under the leaning post. Place the cooler block (H) at the front center edge of the cooler. Make sure there is adequate room to use the footrest. Screw the block in with the screws provided.

Be careful not to drill through wiring, fuel tank and hoses.

Optional Accessories Installation:

Rod Holders (I) Remove the black cap (G) from the accessory-ready splines. Remove the mounting bolt from the rod holder and apply a small amount of marine grade grease (not included) to the inside of the rod holder spline. Install the rod holder at the desired angle and align the bolt hole with the groove in the male spline. Re-install the bolt and tighten.

Backrest and Grab Rail (J&K) Remove the eight(8) screws holding on the clamp covers. Place the welded portion of the clamp against the rear leg approximately 1/4" below the top ring. Install the clamp covers starting all bolts first before tightening down the clamp. If you have purchased the optional backrest, center the cushion left to right on the rear support bar. The top of the cushion should be 1" higher than the top of the rear support tube. Fasten with the self tapping screws provided.

TACOTM