



Grand Slam 350 Installation Instructions



TACO Metals Inc., 98 NE 179th Street • Miami, Florida 33162
handyhank@tacomarine.com • tacomarine.com

Your Kit Contains:

- 2- Grand Slam 350 mounts
- 4- 5/16"-18 x 1" stainless steel button head cap bolts
- 8- Stainless steel flat washers
- 8- Nylon flat washers
- 2- Rotator Handles
- 2- Crank Handles
- 1- Instruction Booklet
- 1- Warranty card

After unpacking the Grand Slam DO NOT ATTEMPT TO TURN the lower 3" diameter rotating component until the long rotator handle has been installed, as this can damage the Height Angle Indicator.

INSTALLATION: (Using TACO Pre-Drilled Plates)

It is very important that your mounting surface for the "Grand Slam" (i.e., T-Top, Arch or Hard Top), be suitably constructed to provide a strong mounting area for your outrigger base. It is recommended to use TACO's weld-in Grand Slam extrusions:



Clamp on Plate



(GSE-1939BXY or GSE-1940BSA) or

our easy to install clamp-on Grand Slam mounting plate (GSE-1002-1).

These plates are pre-drilled and ready to install the Grand Slam. If you already have a plate. It should be at least 3/8" thick and 5" wide, with 3-4 welded seams to be used for the full 6" bow to stern.

When installing the Grand Slam GS-350T through canvas, simply cut an X over the 3-1/8" hole. Install and bolt down the Grand Slam*, then trim off the excess canvas.

When installing the GS-350H through a hardtop make sure the top is foam or core filled. It is recommended to use spacers (small lengths of tubing) to fit inside where the mounting bolts pass through to ensure that when you tighten the bolts, you do not compress the top.

*See Figure 1, Page 5

HANDY HANK'S TIP



Handy Hank

- Backing plates are available for extra strength and recommended when mounting thru a hard top. (BP-150BSY-320)



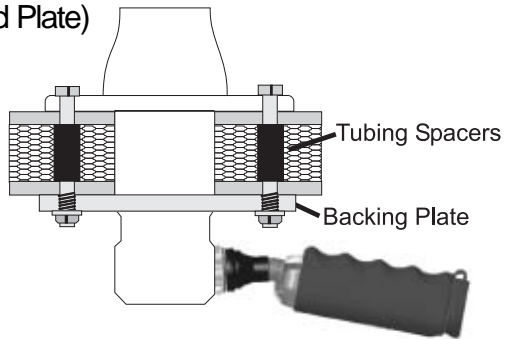
• When installing your Grand Slam locate the center of the 3-1/8" hole is at least 9-1/2" from the hardtop frame, vertical post, or any other object that might hinder the movement of the handle.

- If the top has an arch to it, wedge plates can be ordered to keep the Grand Slams upright and straight.

- The maximum thickness allowable for GS-350H mounting is 2-5/8"

Installation: (Using A Solid Plate)

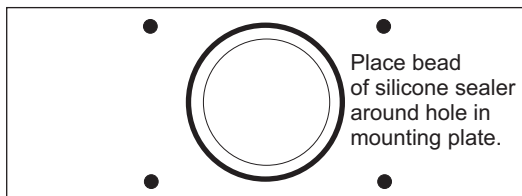
If you are installing thru a solid plate already on your boat please read the following instructions.



Before drilling your bolt holes, cut out a 3-1/8" diameter center hole. When you are finished drilling your 3-1/8" hole, set the base in the hole being careful not to scratch the anodized finish of the lower components, or to damage the white angle height position indicator. Use your outriggers to help align the base. The supplied template is only a guide to help align base for true hole positioning. Make sure nothing is rubbing in the 3-1/8" hole. There should be a small gap all the way around. When the Grand Slams are aligned, mark and drill out the bolt holes. Bolts, washers and nuts are provided or if you purchase your own, always use good quality stainless steel hardware when mounting the base. Please do not attempt to weld the base to anything.

Note: Always use a nylon 5/16" washer underneath any stainless steel washers to prevent corrosion of the Grand Slams anodized aluminum mounting base.

If using a backing plate, put a bead of marine sealant on the underside of flat plate. This prevents water drips.



Securely bolt the base to the mounting surface*. Install operating lever last. Insert lever with the nylon bushings on the handle from the larger open-ended slot, from stern facing position. (The bottom part of the Grand Slam can rotate to locate this hole). Lubricate threads with oil or grease. Make sure the handle is all the way in. Screw the handle adapter to the mount. Place the outrigger in the arm and test. Pull down on the lever and move port to starboard. Release the lever, and it



Rotate the bottom of the Grand Slam To align with the handle hole



Align handle making sure not to lose nylon bushings, then tighten nut

should go into locking positions. There are 20 locking positions. If lever does not return up, push left or right until it falls into position. Insert the crank handle into the bottom of the Grand Slam, crank to full up and down outrigger position to ensure the outrigger does not interfere with other top mounted accessories.

The pull pin for the outrigger is spring loaded. Simply pull out the mushroom button, rotate 1/4 turn and release. Place your outrigger into the arm and turn the mushroom button to snap back into position. Then turn your outrigger until it clicks in the locked position with eyelets facing aft.

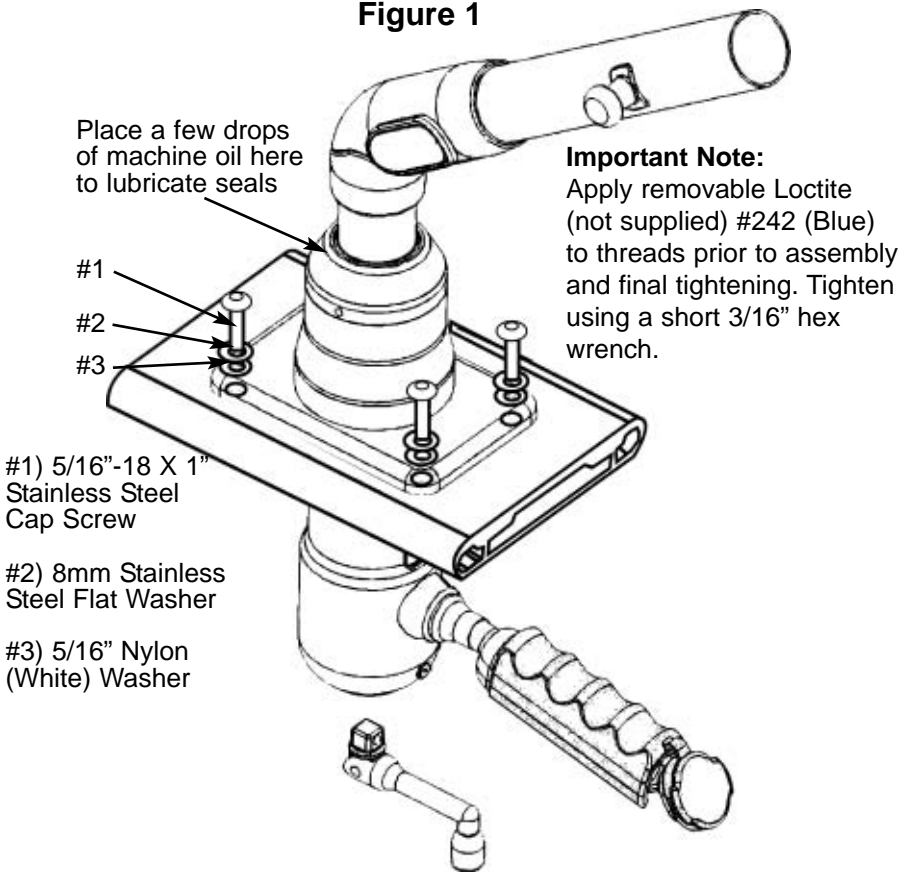
*See Figure 1, Page 5



Handy Hank is your “go to” guy for any questions, comments or concerns you may have regarding TACO products, projects and technical support. Let Handy Hank be your guide and help you with your boat improvement project!

Contact Handy Hank at 800-653-8567 Monday-Friday, 8am-5pm EST or send an email to handyhank@tacomarine.com

Figure 1



Important Running Note: When not trolling, always crank the Grand Slam 350 fully-clockwise (when viewed from underneath), back to the “run” position using the crank handle and retract outriggers. Store crank handle in end of operating handle.

HOW TO CLEAN

Always use a mild, non abrasive soap and lots of fresh water. Thoroughly wash the aluminum with a soft towel or sponge utilizing lots of soap and water to remove all dried salt crystals and other contaminants. Rinse completely with direct water pressure. The important point is to clean and rinse it well! Use a small amount of machine oil, where the arm comes out of the base. This will keep the seals lubricated.

SAFE CLEANERS:

Mild Dishwashing Liquid

Specialty Marine Cleaners:

Sea Safe Boat Wash

Boatwash Concentrate

Super Suds

HARMFUL CLEANERS:

Bleach (Clorox, etc.)

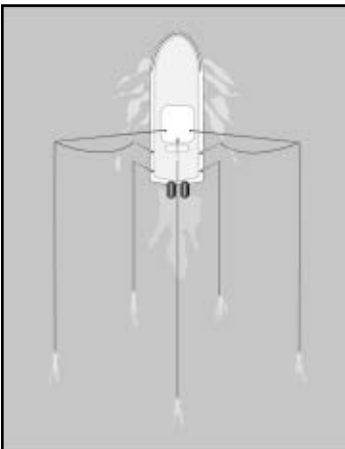
Mild Abrasive Cleaners (Ajax, Comet, Soft Scrub, Rubbing Compounds, etc.)

Strong Cleaners (409, Engine Degreasers, etc.)

WHAT IS TROLLING?

HOW DO I USE MY OUTRIGGERS?

When trolling with outriggers, you can troll with more lines in the water, thus pulling more bait which simulates a school of fish. Outriggers will eliminate tangled lines. Each outrigger can accommodate one or two lines from your rods and reels. The line is used with a release clip that extends to the end of your outrigger.



When a fish strikes your bait, the release clip will allow your fishing line to come free of the outrigger so you can reel in the fish.

Warning:

All outriggers (telescoping and fixed) in the extended position are susceptible to breakage while operating the boat at high speeds in rough conditions. Tele-outriggers are designed to increase durability and ensure a long and useful life. Nonetheless, it is recommended that certain precautions be taken to avoid unnecessary damage. Use good judgment in rough seas, it is recommended that you retract the outriggers before reaching high speeds resulting in "pounding" and "whipping" that can damage outriggers.

Excessive release clip tension or faulty clips can cause unnecessary loads on outriggers and mounts that result in failure. It is recommended that you check and adjust your clips before each use.

Clamp-On Mounting Plates

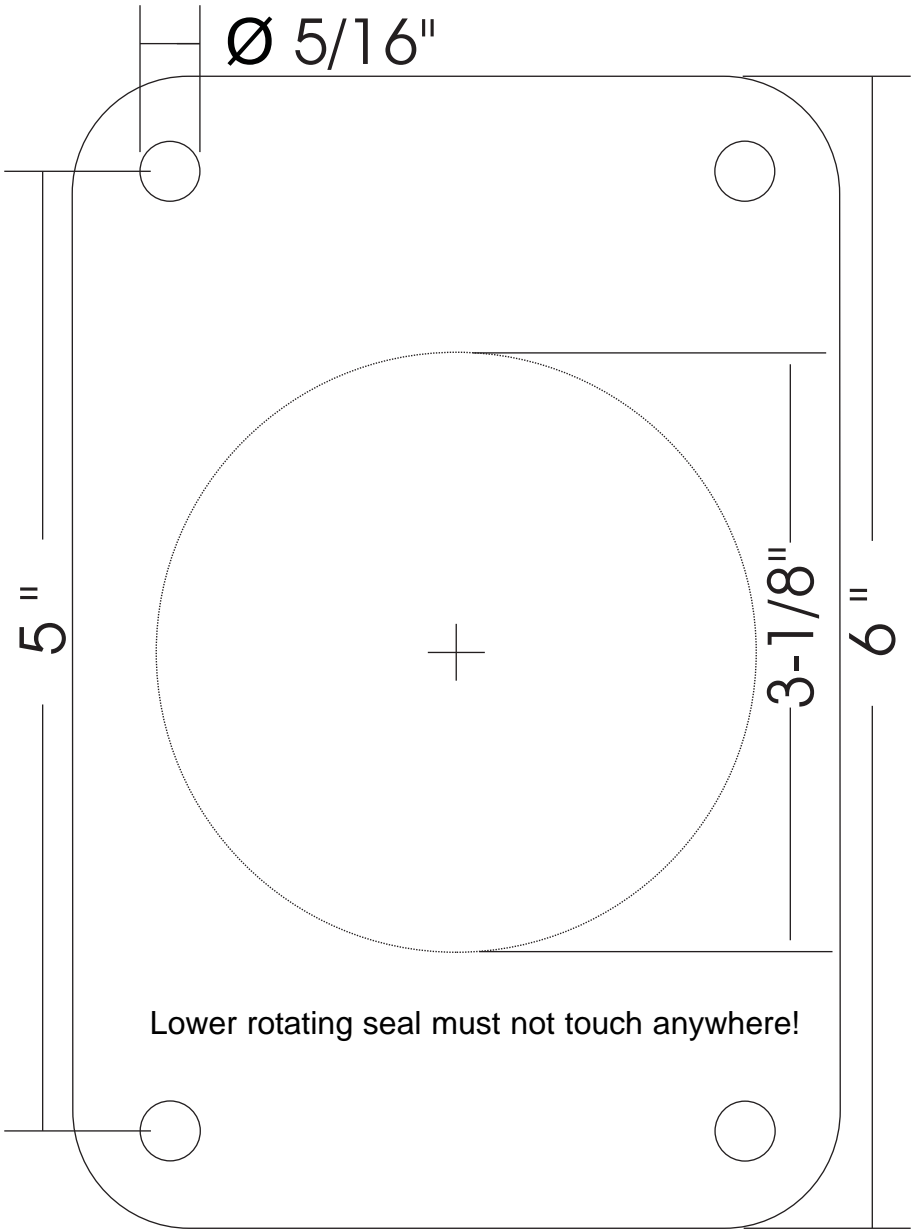


For easy installation of the Sport Slam, TACO's new clamp on mounting plate clamps to T-tops. No welding required.

TACO Tele-Outriggers

This patented design outrigger is the perfect compliment for your new Sport Slam. Available in black, silver and blue poles, and retracts to less than 6' for bridges, trailering and storage.





50 N.E. 179th Street
Miami, Florida 33162
Tech Support: 800-653-8567
Fax: 305-770-2386

tacomarine.com