



SPORT FISHING

Grand Slam Installation Instructions



TACO Metals Inc., 98 NE 179th Street • Miami, Florida 33162
handyhank@tacomarine.com • tacomarine.com

This Box Contains:

- 1- Port side Grand Slam
- 1- Starboard side Grand Slam
- 4- 5/16" x 1" stainless steel button head cap bolts
- 8- Stainless steel flat washers
- 8- Nylon flat washers
- 2- Handles
- 1- Instruction Booklet
- 1- Warranty card

INSTALLATION:

It is very important that your mounting surface for the "Grand Slam" ie, 'T' Top, Arch or Hard Top be suitably constructed to provide a strong mounting area for your outrigger base. It is recommended to use TACO's weld in Grand Slam Extrusion. (GSE-1939BXY30) or our new



Weld in Plate

Clamp on Plate



clamp on Grand Slam mounting plate (GSE-1002-1). Both of these

plates are pre drilled and ready to install the Grand Slam. If you already have a plate it should be at least 3/8" thick and 5" wide, with 3-4 welded seams to be used for the full 6" bow to stern.

When installing the Grand Slam thru canvas, simply cut an X over the 3" hole. Install and bolt down the Grand Slam then trim off the excess canvas.

When installing thru a hardtop make sure the top is foam or core filled. It is recommended to use spacers (small lengths of tubing) to fit inside where the mounting bolts pass thru

HANDY HANK'S TIP



Handy Hank

- Backing plates are available for extra strength and recommended when mounting thru a hard top. (BP-150BSY-320)



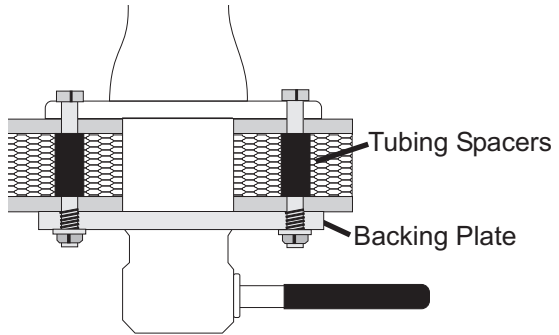
- When installing your Grand Slam locate the center of the 3" hole at least 7-1/2" from the hardtop frame, vertical post, or any other object that might hinder the movement of the handle.

- If the top has an arch to it, wedge plates can be ordered to keep the Grand Slams upright and straight.

- The maximum thickness allowable for mounting is 2-7/8"

to ensure that when you tighten the bolts you do not compress the top.

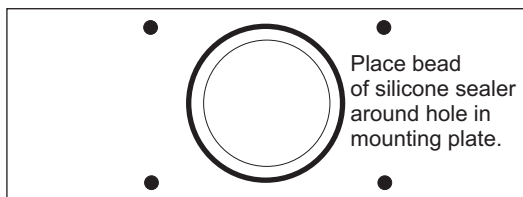
If you are installing thru a solid plate already on your boat please read the following instructions:



Before drilling your bolt holes, cut out a 3" diameter center hole. When you are finished drilling your 3" hole set the base in hole and align. Use your outriggers to help align the base. The supplied template is only a guide to help align base for true hole positioning. Make sure nothing is rubbing in the 3" hole. There should be a small gap all the way around.

When the Grand Slams are aligned, mark and drill out the bolt holes. Bolts, washers and nuts are provided or if you purchase your own, always use good quality stainless steel hardware when mounting the base. Please do not attempt to weld the base to anything.

Put a bead of marine sealant on the underside of flat plate. This prevents water drips.



Securely bolt the base to the mounting surface. Install operating lever last. Insert lever with the nylon bushings on the handle in from the larger open-ended slot, from stern facing position. (The bottom part of the Grand Slam can rotate to locate this hole). Make sure the handle is all the way in. Screw the handle adapter to the mount.



Rotate the bottom of the Grand Slam To align with the handle hole

Place the outrigger in the arm and test. Pull down on the lever and move port to



Align handle making sure not to lose nylon bushings then tighten nut

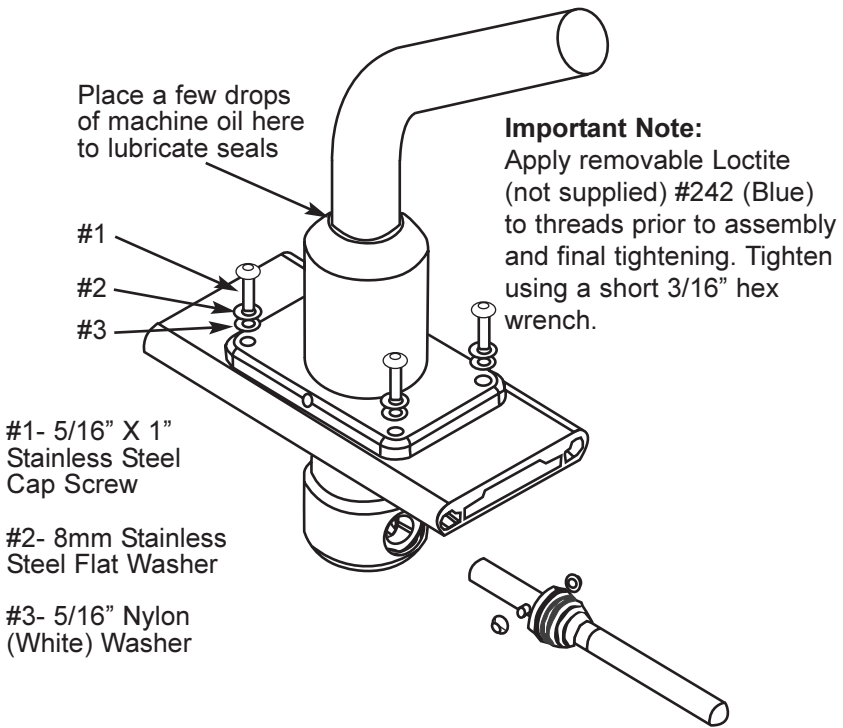
starboard. Release the lever, and it should go into locking positions. There are 20 locking positions. If lever does not return up, push left or right until it falls into position. The adjustable design requires the stop lip face the stern.

The pull pin for the outrigger is spring loaded. Simply turn the mushroom button until it locks then pull pin out. Place your outrigger into the arm and turn the mushroom button. Then turn your outrigger to it clicks in the locked position.



Handy Hank is your “go to” guy for any questions, comments or concerns you may have regarding TACO products, projects and technical support. Let Handy Hank be your guide and help you with your boat improvement project!

Contact Handy Hank at 800-653-8567 Monday-Friday, 8am-5pm EST or send an email to handyhank@tacomarine.com



When installing the mounts the lay down lip faces the stern of the boat. The lay down knobs face to the outside for easy adjustment.

HOW TO CLEAN

Always use a mild, non abrasive soap and lots of fresh water. Thoroughly wash the aluminum with a soft towel or sponge utilizing lots of soap and water to remove all dried salt crystals and other contaminants. Rinse completely with direct water pressure. The important point is to clean and rinse it well! Use a small amount of machine oil, where the arm comes out of the base. This will keep the seals lubricated.

SAFE CLEANERS:

Mild Dishwashing Liquid

Specialty Marine Cleaners:

Sea Safe Boat Wash

Boatwash Concentrate

Super Suds

HARMFUL CLEANERS:

Bleach (Clorox, etc.)

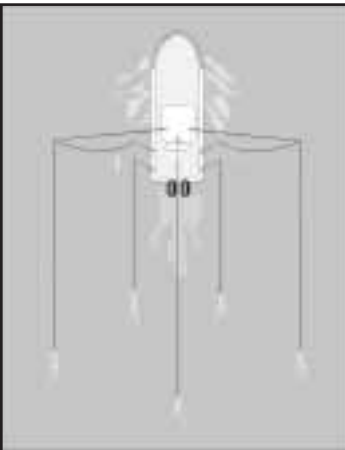
Mild Abrasive Cleaners (Ajax, Comet, Soft Scrub, Rubbing Compounds, etc.)

Strong Cleaners (409, Engine Degreasers, etc.)

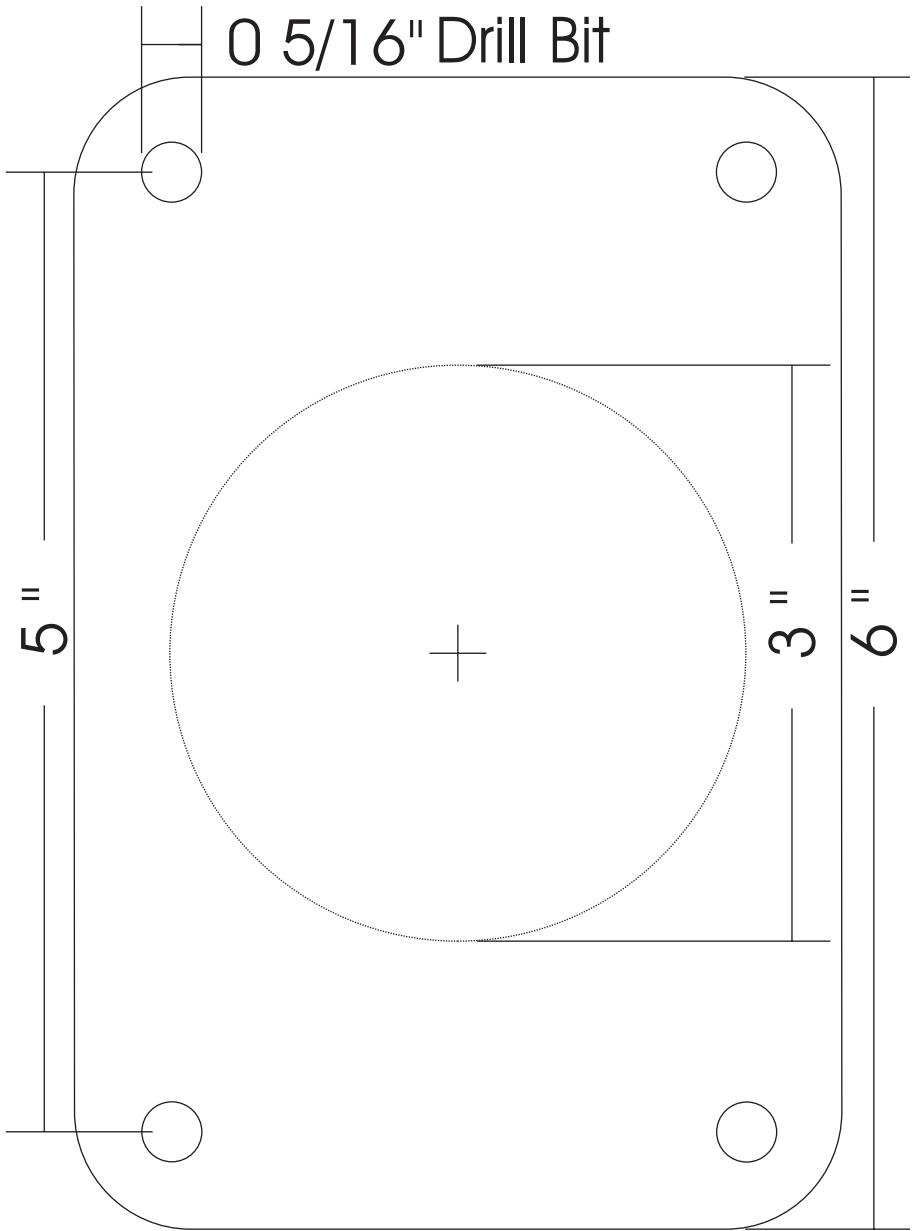
WHAT IS TROLLING?

HOW DO I USE MY OUTRIGGERS?

When trolling with outriggers, you can troll with more lines in the water, thus pulling more bait which simulates a school of fish. Outriggers will eliminate tangled lines. Each outrigger can accommodate one or two lines from your rods and reels. The line is used with a release clip that extends to the end of your outrigger.



When a fish strikes your bait, the release clip will allow your fishing line to come free of the outrigger so you can reel in the fish.



Lower rotating seal must not touch anywhere!

Clamp-On Mounting Plates



For easy installation of the Grand Slam, TACO's new clamp on mounting plate clamps to T-tops. No welding required.

- Pre-drilled for mounting outriggers or solid plate (as shown) for mounting radars, lights & antennas
- Recessed screws allow the clamp to capture both the T-top pipe and the special mounting plate
- Measuring 30" x 5" this kit includes mounting inserts for 3/4", 1" and 3/4" oval pipe
- Contact your local dealer for additional details

TACO Tele-Outriggers

This patented design outrigger is the perfect compliment for your new Grand Slam. Available in black, silver and blue poles, and retracts to less than 6' for bridges, trailering and storage.



50 N.E. 179th Street
Miami, Florida 33162
Tech Support: 800-653-8567
Fax: 305-770-2386

tacomarine.com

