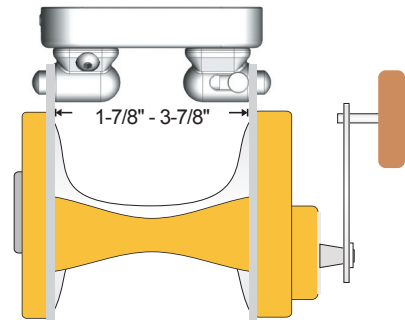


# INSTRUCTIONS

## Stainless Steel Adjustable Reel Hangers F16-2800

1. Lay rods in holder on deck for proper mounting positioning.
2. Fasten mounting piece to surface using #10 stainless steel self-tapping screws (not included) .
3. Place rod hanger onto mounting piece and screw in set screw until tight.
4. Slide the tip into the rod holder.
5. Insert reel into hanger by compressing the spring pins.



REEL MANUFACTURER	F16-2810	F16-2820
<b>PENN</b>		
340 GTi	x	x
345 GTi	x	x
International 16S	x	x
International 16VSX	x	x
International 30TW	x	x
International 30VSW	x	x
International 50S	x	x
International 50T	x	x
International 50TW	x	x
International 50VSW	x	x
International 70VS	x	x
International 80VSW	x	x
International 130ST		x
Graph-Lite GLD 20 II	x	x
Graph-Lite GLD 20	x	x
Graph-Lite GLD 30 II	x	x
Special Senator 113H	x	x
Special Senator 113HLW	x	x
Special Senator 114H	x	x
Special Senator 114HLW	x	x
Senator 113	x	x
Senator 115L	x	x
<b>DAIWA</b>		
LD-20	x	x
LD-30	x	x
SLT-20	x	x
SLT-30	x	x
SLT-50	x	x

REEL MANUFACTURER	F16-2810	F16-2820
<b>SHIMANO</b>		
Tiagra TI 12	x	x
Tiagra TI 16	x	x
Tiagra TI 20A	x	x
Tiagra 30A	x	x
Tiagra TI 30WLRSA	x	x
Tiagra TI 80A	x	x
TI 50A	x	x
TI 50WA		x
TI 50WLRSA		x
Tyrnos TYR20	x	x
Tyrnos TYR30	x	x
TLD 20 II	x	x
TLD 30 II	x	x
TLD 50 II	x	x
TLD 50 IILRS	x	x
TLD 20	x	x
TLD 25	x	x
<b>OKUMA</b>		
T20		
T20L	x	x
T30	x	x
T50	x	x
Titus Silver 50W	x	x
Convector CV 55	x	x
Convector CV 55W	x	x