

Neptune III Leaning Post



L10-2010

L10-2005

Thank you for purchasing a quality Taco Marine product. As a family-owned business since 1959, Taco Marine takes pride in offering the highest quality products with excellent customer service. We stand behind our products 100%. Please visit our website, TacoMarine.com, for more detailed information on a wide variety of Sport Fishing products.

Contents

- A - 1 Frame assembly
- B - 1 Seat cushion
- C - 1 Cooler strap
- D - 2 Mounting blocks
- E - 2 #12 x 2-1/4" screws
- F - 4 #12 x 1" screws
- G - 1 Cooler block
- H - 4 Rod Holders
- I - 1 Backrest/grab rail assembly (L10-2010 only)

Assembly Instructions

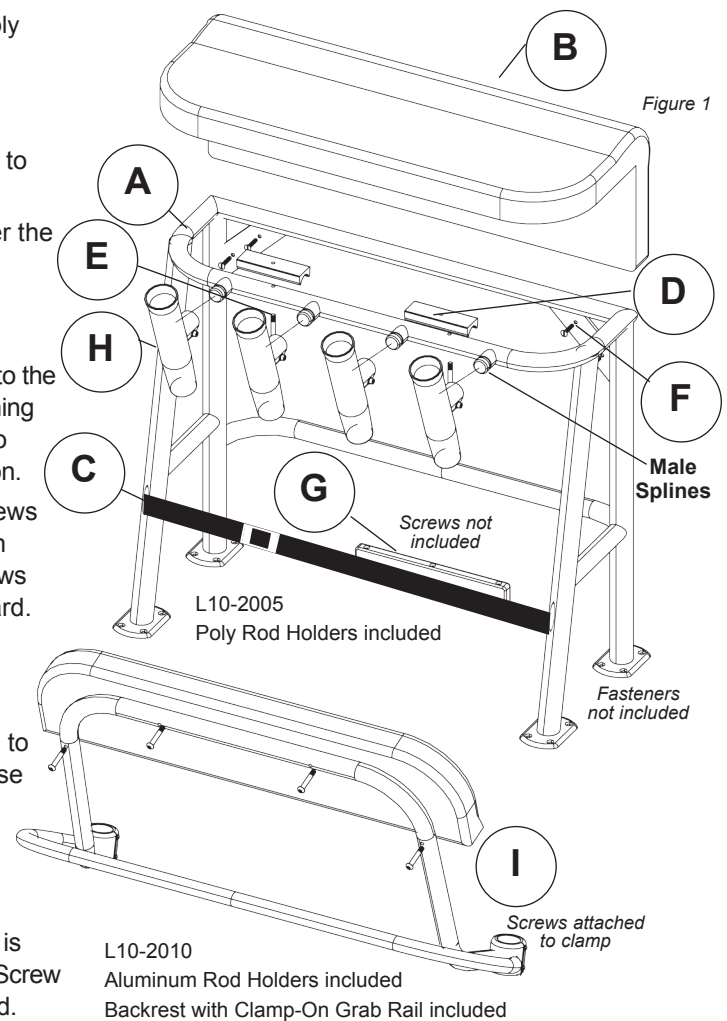
1. Carefully unpack the frame and cushion assembly. Use care not to scratch the anodizing on the frame with any sharp object.
2. With the frame sitting upright, place the mounting blocks (D) over the holes on the rear of the top ring and align the holes.
3. Place the seat cushion (B) on top of the ring. Make sure the seat cushion is centered left to right on the frame.



• It is very important that the leaning post is firmly attached to the deck to prevent injury. Consult your marine professional for recommendation on proper backing plates and thru-bolting for solid installation.

• Be sure not to drill through wiring, fuel tank or hoses.

4. Install the four (4) #12 screws (F) into the cross braces on the front of the leaning post. The screws should self tap into the backer board on the seat cushion.
5. Install the two (2) 2-1/4" x #12 screws into the rear holes passing through the mounting blocks (D). The screws should self tap into the backer board.
6. Install the Leaning Post in the appropriate position in the boat and mark the hole positions. It is recommended to use new drill bits to drill heads and for a secure seal use marine sealant (not included).
7. If you are using a cooler, place it under the leaning post. Place the cooler block (G) at the front center edge of the cooler. Make sure there is adequate room to use the footrest. Screw the block in with the screws provided.



Optional Accessories Installation

Clean any dirt or packing debris from accessory splines.

Rod Holders (H)

(Poly Rod Holders included with L10-2005 Leaning Post, Aluminum Rod Holders included with L10-2010 Leaning Post)

Remove the mounting bolt from the rod holder and apply a small amount of marine grade clear sealant (not included) to the inside of the rod holder spline. Install the rod holder at the desired angle and align the bolt hole with the groove in the male spline. Re-install the bolt and tighten.

Backrest, Grab Rail (I)

(Only available with L10-2010 Leaning Post)

Remove the eight (8) screws holding on the clamp covers. Place the welded portion of the clamp against the rear leg approximately 1/4" below the top ring. Install the clamp covers starting all bolts first before tightening down the clamp. If you have purchased the optional backrest, center the cushion left to right on the rear support bar. The top of the cushion should be approximately 1" higher than the top of the rear support tube. Fasten with the self tapping screws provided.



OPTIONAL

Recommended if added securing is required

Tools/Supplies

• Phillips head screwdriver or a screw gun • Adjustable wrench • Wax and lead pencil • Drill • Jig Saw • Marine sealant • 24" x 54" marine lumber

1. Before assembling the Leaning Post, check the footprint dimensions and mark the approximate locations of the mounting holes with a wax pencil.
2. Check underneath the deck to make sure that any gas tanks, gas lines, electrical wires, etc. are far enough below the deck so they will not be damaged when drilling or through bolting the Leaning Post to the deck. (Caution, if you do not know what is directly underneath your mounting location ask your boat manufacturer, a qualified boat mechanic, or use a flashlight to view the area through an existing access hole or make a hole in an area that you can properly seal and cover afterwards.).
3. Assemble the Leaning Post according to the Assembly Instructions provided.
4. Using the footprint of your Leaning Post, make backing plates out of a piece of 1/2" marine lumber or 1/4" aluminum. Make sure you leave enough material for a cover plate (Step 14).
5. If the area underneath is acceptable, place the Leaning Post in the desired location. (About 12" from the console).
6. Make sure that your Leaning Post is straight and parallel with your console, centered positioning.
7. Mark the hole locations through the mounting holes in each mounting flange, making sure that the Leaning Post does not move.
8. Install a 3/16" drill bit into your drill and put a piece of tape on the drill bit 1" from the tip so you will know when to stop and do not drill too deep.
9. Drill the mounting holes.
10. Put the Leaning Post back in place to make sure that all the holes line up. Enlarge holes if necessary. Use marine sealant on bottom of mounting plates and fastener holes for a good seal.
11. If you do not have an access hatch to the underside of the deck you will have to cut an access hole between the two mounting locations on each side of the leaning post big enough so you can reach inside and install a backing plate and locknuts or T-nuts on the mounting screws. Make sure that the access hole is completely within the mounting feet of the leaning post so that you can seal and cover it up with a piece of Marine Lumber after the installation.
12. Put sealant on the threads of each of the 1/4" mounting bolts and insert them into the holes.
13. Install the backing plates and locknuts or T-nuts on the mounting bolts through the access holes and tighten them securely.
14. Using a piece of 24" x 54" marine lumber or 1/8" aluminum, cut the cover plate to fit within the footprint of your Leaning Post.
15. Drill clearance holes in the marine lumber or aluminum plate for the mounting screws.
16. Using the clearance holes mark the deck and drill pilot holes so the screws can thread into the deck.
17. Place sealant around each of the access holes and line up the holes in the cover plate with the pilot holes, put sealant on the screw threads and install the screw to secure the cover plate to the deck.
18. Install the optional cooler and adjust the straps.