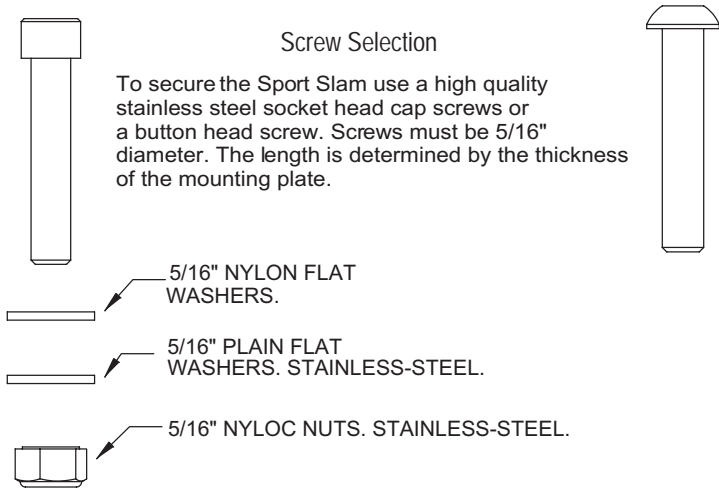
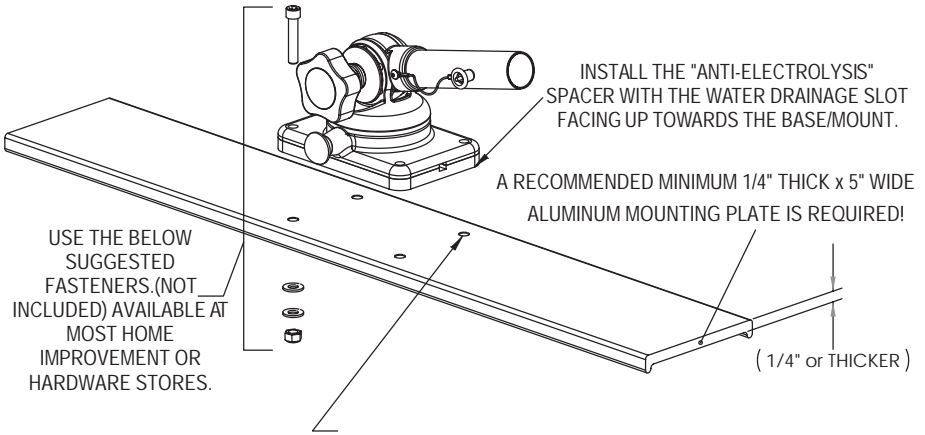




Sport Slam

Installation and
Care Instructions

Installation Instructions:

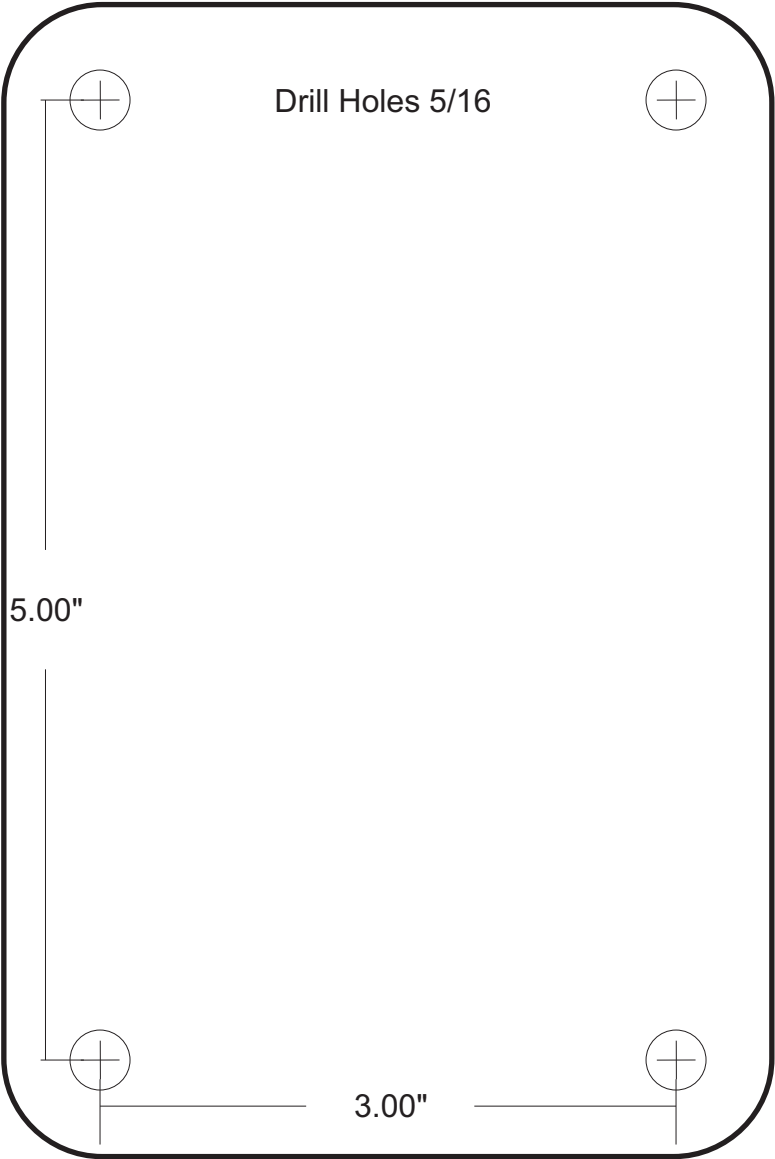


- Recheck the fastener tightness after 24 hours of operation
- Sport Slam base accepts 1-1/8" TACO Tele-Outriggers and universal 1-1/8" base outriggers

Care & Maintenance

- Wash with fresh water after every use

Mounting & Drilling Template



Clamp-On Mounting Plates

For easy installation of the Sport Slam, TACO's new clamp on mounting plate clamps to T-tops. No welding required.



- Pre-drilled for mounting outriggers or solid plate (as shown) for mounting radars, lights & antennas
- Recessed screws allow the clamp to capture both the T-top pipe and the special mounting plate
- Measuring 30" x 5" this kit includes mounting inserts for 3/4", 1" and 3/4" oval pipe
- Contact your local dealer for additional details

TACO Tele-Outriggers

This patented design outrigger is the perfect compliment for your new Sport Slam. Available in black, silver and blue poles, and retracts to less than 6' for bridges, trailering and storage.



50 N.E. 179th Street
Miami, Florida 33162
Tech Support: 800-653-8567
Fax: 305-770-2386

tacomarine.com

