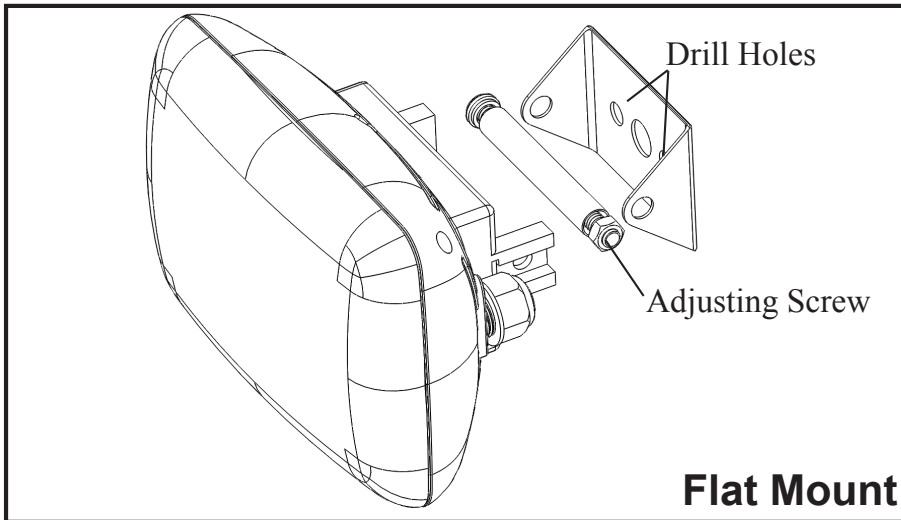


INSTRUCTIONS

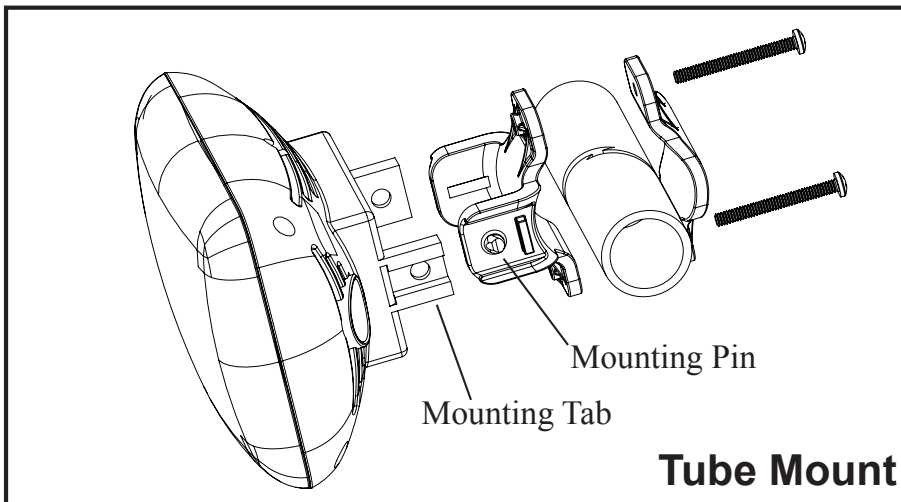
LED Spreader & Spot Lights F38-4600-1 & F38-5600-1

INCLUDES:

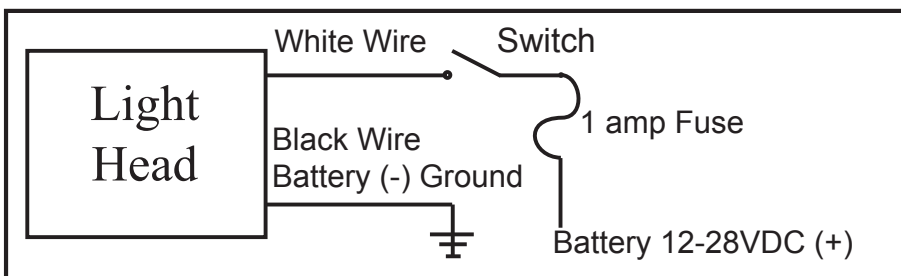
1. LED Light Head
2. Flat Mount Stainless Steel Bracket with Hardware
3. Tube Mount Plastic Bracket and Hardware



Flat Mount - Using the stainless steel bracket provided as a template mark and drill the 2 outer holes in the plate. It is recommended that the unit is secured with (2) #12 stainless steel screws and washers (not included). The center hole can be used for the wire guide. Adjust the light to the desired position and tighten the adjusting screw.



Tube Mount - Remove the stainless steel bracket (not required) and hardware from the LED head. Place the mounting pin through the inside of one of the mounting tabs on the light housing. Using a little pressure snap the opposite mounting pin into the opposite mounting tab. Position the clamp around the tube and install the rear half of the clamp with the screws provided. Tighten only enough to prevent the light from turning on the tube, do not over tighten.



Wiring - These lights are rated for 12-28 VDC only connection to any other power source may cause a fire hazard. The white lead must be attached to the positive (+) side of the battery through a 1 amp fuse or breaker.